
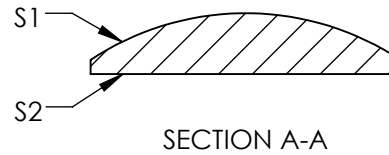
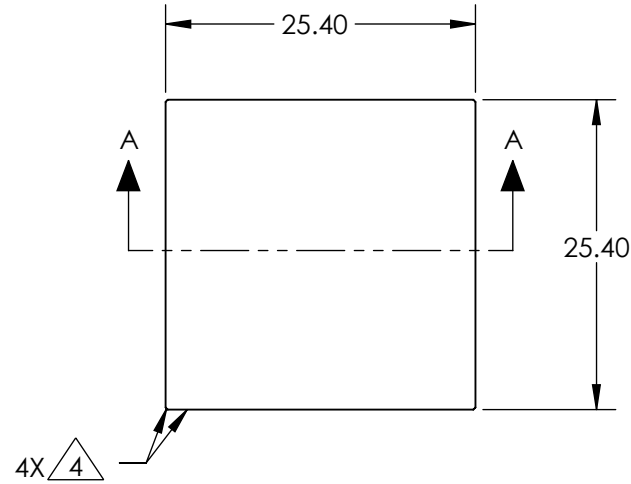
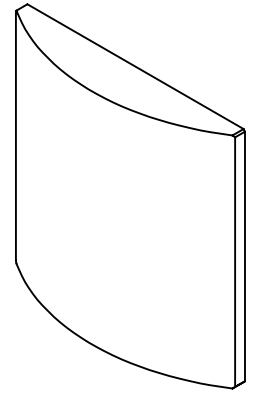


NOTES:

1. SUBSTRATE MATERIAL:
FUSED SILICA
2. CENTERING TOLERANCE (AT 587.6nm):
PLANO AXIS WEDGE: < 3 ARCMIN
POWER ASIX WEDGE: < 3 ARCMIN
AXIAL TWIST: < 3 ARCMIN
3. COATING (APPLY ACROSS CLEAR APERTURE)

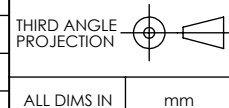
S1 & S2: R(AVG) ≤ 0.4% FROM 425-675nm @ 0° AOI
4.  FINE GROUND SURFACE
5. POWER, IRREGULARITY, AND SURFACE QUALITY SPECIFICAIONS APPLY ACROSS CLEAR APERTURE
6. ROHS COMPLIANT



**FOR INFORMATION ONLY:
DO NOT MANUFACTURE
PARTS TO THIS DRAWING**

SPECIFICATIONS SUBJECT TO CHANGE WITHOUT NOTICE
DIMENSIONS ARE FOR REFERENCE ONLY

	S1	S2
SHAPE	CONVEX	PLANO
SURFACE QUALITY	20 - 10	20 - 10
CLEAR APERTURE	22.86 x 22.86	22.86 x 22.86
BEVEL	PROTECTED AS NEEDED	PROTECTED AS NEEDED



 **Edmund Optics®**

TITLE	LENS CYL SHAPING 25.4mm SQ x 50mm VIS 0		
DWG NO	36099	SHEET	1 OF 1