

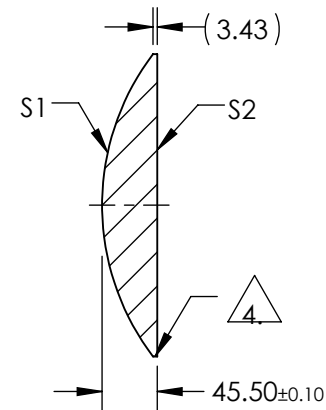
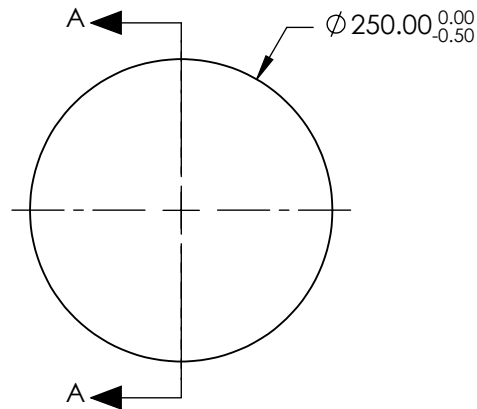
NOTES:

1. SUBSTRATE:
BK-7
2. CENTERING TOLERANCE (AT 587.6nm):
BEAM DEVIATION (HALF ANGLE): <6 ARCMIN
3. COATING (APPLY ACROSS COATING APERTURE)
S1: NONE
S2: NONE

4. FINE GRINDE SURFACE


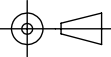
5. RoHS: COMPLIANT

**FOR INFORMATION ONLY:
DO NOT MANUFACTURE
PARTS TO THIS DRAWING**



SECTION A-A

SPECIFICATIONS SUBJECT TO CHANGE WITHOUT NOTICE
DIMENSIONS ARE FOR REFERENCE ONLY

REV. A	S1	S2	EFL: 400.00				
SHAPE	CONVEX	PLANO	BFL: 370.00				
RADIUS	206.72	∞		TITLE	LARGE PCX CONDENSER LENS 250mm x 400mm		
SURFACE QUALITY	120-80	120-80		DWG NO	67199	SHEET 1 OF 1	
CLEAR APERTURE	Ø245.00	Ø245.00	ALL DIMS IN	mm			
BEVEL	PROTECTIVE AS NEEDED	PROTECTIVE AS NEEDED					