

NOTES:

1. SUBSTRATE:
LIBA 2000
2. CENTERING TOLERANCE (AT 587.6nm): BEAM DEVIATION (HALF ANGLE): <25 ARCMIN
3. COATING (APPLY ACROSS COATING APERTURE)
S1: NONE
S2: NONE

4. EDGE: AS MOLDED

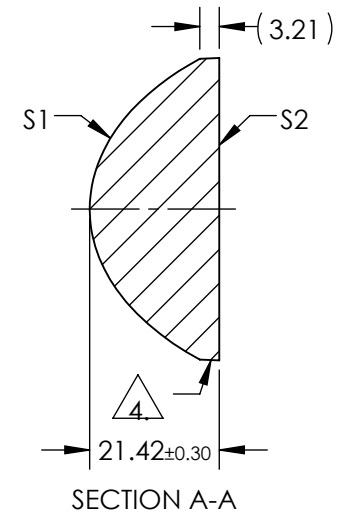
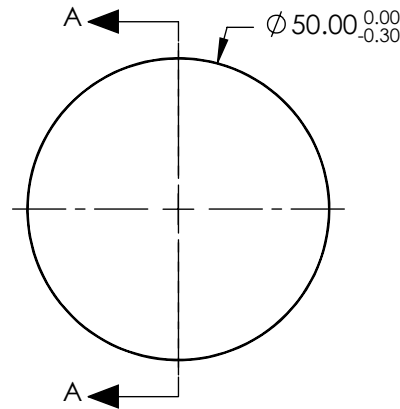
5. ASPHERIC SURFACE DESCRIBED BY THE FOLLOWING EQUATION AND COEFFICIENTS SHOWN IN TABLE BELOW

$$Z(Y) = \frac{\left(\frac{1}{\text{RADIUS}}\right) * Y^2}{1 + \sqrt{1 - (1+k) * \left(\frac{1}{\text{RADIUS}}\right)^2 * Y^2}} + D * Y^2 + E * Y^4 + F * Y^6 + G * Y^8 + H * Y^{10} + J * Y^{12} + L * Y^{14} + M * Y^{16}$$

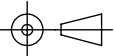
6. RoHS: COMPLIANT

**FOR INFORMATION ONLY:
DO NOT MANUFACTURE
PARTS TO THIS DRAWING**

COEFFICIENT TABLE 5.	
	S1
Semi-diameter	25.0
Coefficient (1/RADIUS)	4.794385E-02
k	-1.057453E+00
D	0.000000E+00
E	7.226537E-06
F	2.736523E-09
G	1.590748E-12
H	0.000000E+00
J	0.000000E+00
L	0.000000E+00
M	0.000000E+00



SPECIFICATIONS SUBJECT TO CHANGE WITHOUT NOTICE
DIMENSIONS ARE FOR REFERENCE ONLY

REV. A	S1	S2	EFL: 40.00	Edmund Optics®	
SHAPE	CONVEX	PLANO	BFL: 25.92		
RADIUS	20.858	∞	TITLE		
SURFACE QUALITY	80-50	80-50	DWG NO	36171	SHEET 1 OF 1
CLEAR APERTURE	Ø44.78	Ø44.78	ALL DIMS IN	mm	
BEVEL	PROTECTIVE AS NEEDED	PROTECTIVE AS NEEDED			