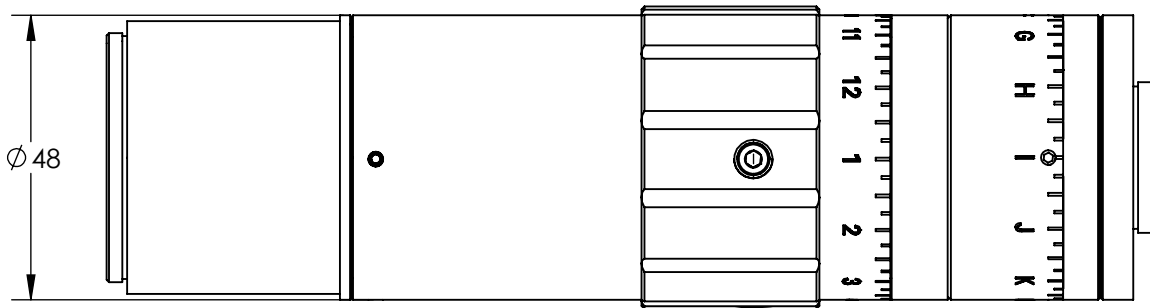
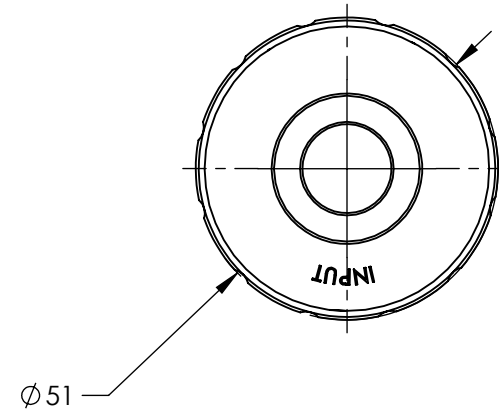
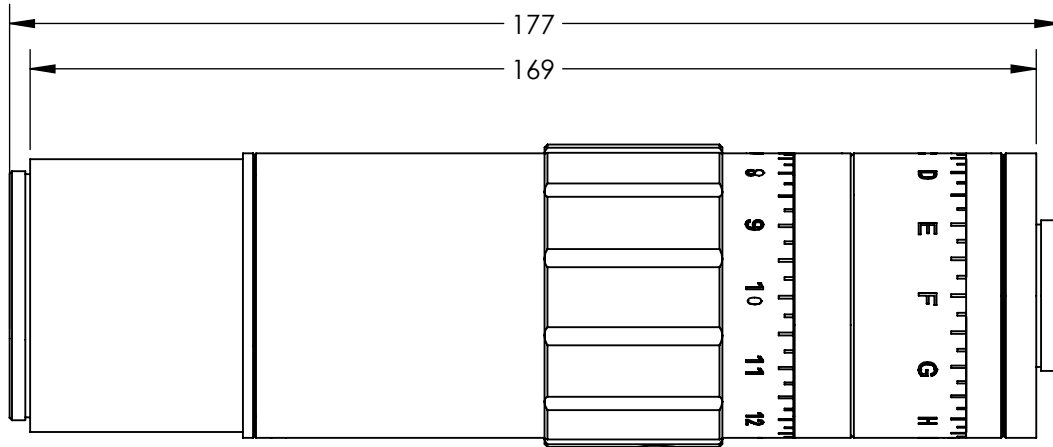
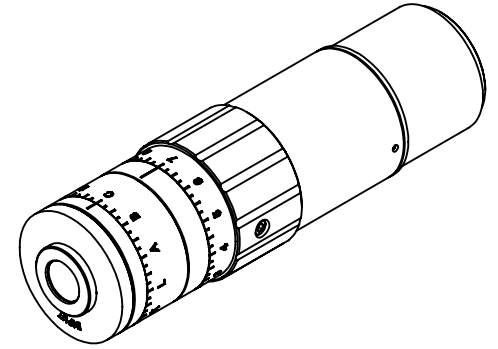


NOTES:

1. COATING (APPLY ACROSS CLEAR APERTURE)
 LASER V-COAT
 R(ABS) 0.25% @ 266 nm
2. RoHS COMPLIANT



**FOR INFORMATION ONLY:
 DO NOT MANUFACTURE
 PARTS TO THIS DRAWING**

SPECIFICATIONS SUBJECT TO CHANGE WITHOUT NOTICE
 DIMENSIONS ARE FOR REFERENCE ONLY

EO® Edmund Optics®

REV. A	
DESIGN WAVELENGTH DWL (nm)	266
TRANSMISSION	>95% @ DWL
TRANSMITTED WAVEFRONT, P-V	<math><3\lambda/4</math> FOR INPUT BEAM $\leq 4\text{MM}$ (2.5X-4X) <math><\lambda/2</math> FOR INPUT BEAM $\leq 2\text{MM}$ (>4X)



ALL DIMS IN mm

TITLE	266nm 2X - 8X VARIABLE BEAM EXPANDER		
DWG NO	87565	SHEET	1 OF 1