

NOTES:

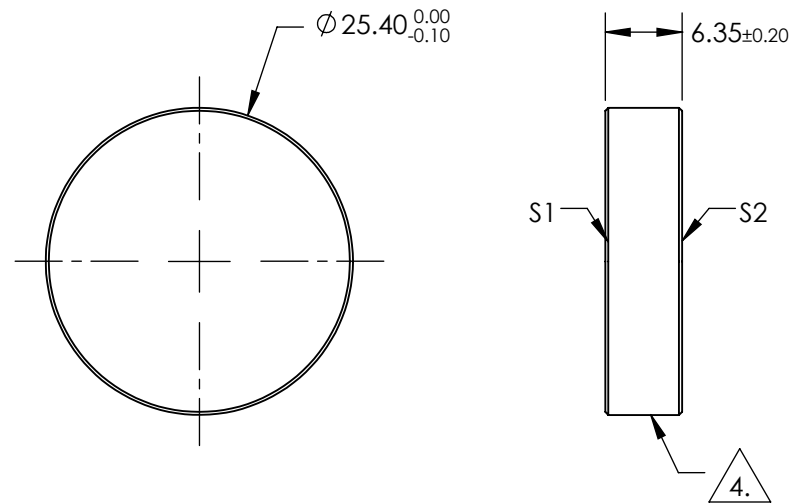
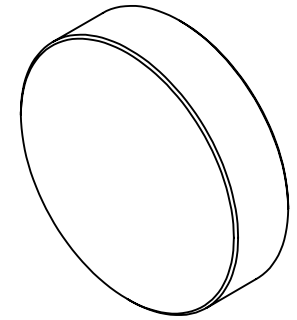
1. SUBSTRATE MATERIAL:
FUSED SILICA
2. CLEAR APERTURE AND COATING APERTURE
ARE CENTERED ON SURFACE
3. COATING (APPLY ACROSS CLEAR APERTURE)
S1: R(AVG) > 99.0% FROM 260-267nm AT 45° AOI
DAMAGE THRESHOLD,
PULSED: 2.5 J/cm², 20 ns, 20 Hz @ 266 nm
CW: 500 kW/cm² @ 1064 nm

S2:NONE

4. FINE GRIND SURFACE

5. SURFACE FLATNESS AND SURFACE QUALITY
SPECIFICATIONS APPLY ACROSS CLEAR APERTURE

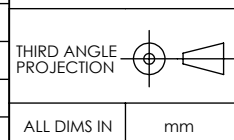
6. RoHS: COMPLIANT



**FOR INFORMATION ONLY:
DO NOT MANUFACTURE
PARTS TO THIS DRAWING**

SPECIFICATIONS SUBJECT TO CHANGE WITHOUT NOTICE
DIMENSIONS ARE FOR REFERENCE ONLY

| REV. A | S1 | S2 |
|------------------|----------------------|----------------------|
| SHAPE | PLANO | PLANO |
| SURFACE FLATNESS | 0.1 WAVE | N/A |
| SURFACE QUALITY | 10 - 5 | N/A |
| CLEAR APERTURE | Ø21.59 | Ø21.59 |
| BEVEL | PROTECTIVE AS NEEDED | PROTECTIVE AS NEEDED |



EO® **Edmund Optics**®

TITLE: Ø25.4mm, 266nm, Nd-YAG LASER LINE MIRROR (STANDARD)

DWG NO: 34815

SHEET 1 OF 1