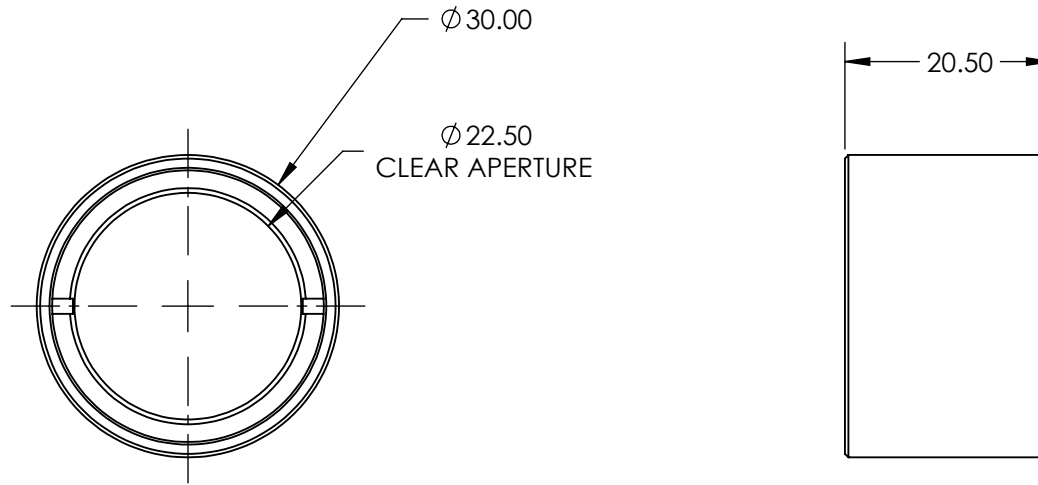
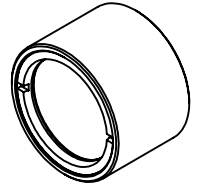



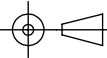
NOTES:

1. SUBSTRATE: CaF2 / FUSED SILICA / CaF2
2. COATING: UNCOATED
3. WAVELENGTH RANGE: 193 - 1000nm



**FOR INFORMATION ONLY:
DO NOT MANUFACTURE
PARTS TO THIS DRAWING**

SPECIFICATIONS SUBJECT TO CHANGE WITHOUT NOTICE DIMENSIONS ARE FOR REFERENCE ONLY

EFL @ 248nm	180	 Edmund Optics®	180 mm EFL UNCOATED, UV-TO-NIR CORRECTED TRIPLET	
BFL @ 248nm	174.62			
THIRD ANGLE PROJECTION 	TITLE			
ALL DIMS IN	mm	DWG NO	47313	SHEET 1 OF 1