

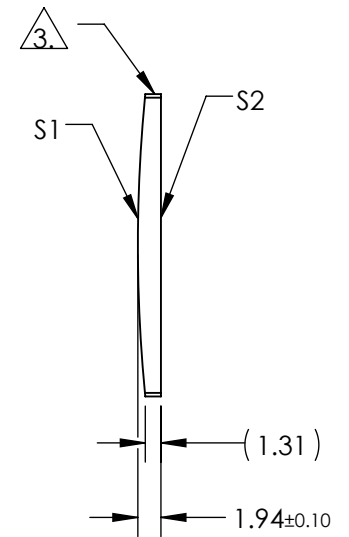
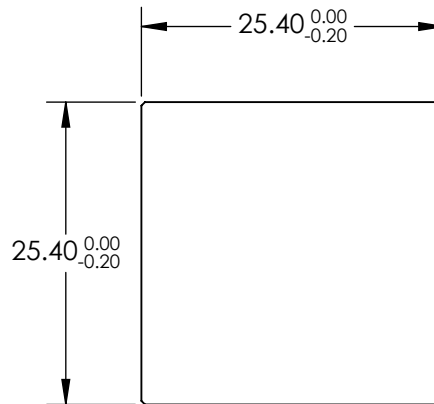
NOTES:

1. SUBSTRATE MATERIAL:
N-BK7
2. COATING (APPLY ACROSS CLEAR APERTURE)

S1 & S2: VIS 0° (425-675nm)
R(AVG) ≤0.4% @ 425 - 675nm


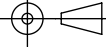
3. FINE GROUND SURFACE

4. RoHS COMPLIANT



**FOR INFORMATION ONLY:
DO NOT MANUFACTURE
PARTS TO THIS DRAWING**

SPECIFICATIONS SUBJECT TO CHANGE WITHOUT NOTICE
DIMENSIONS ARE FOR REFERENCE ONLY

	S1	S2	EFL	250	 Edmund Optics®	
SHAPE	CONVEX	PLANO	BFL	248.02		
RADIUS	129.2	INFINITY	THIRD ANGLE PROJECTION 	TITLE	25.4mm H X 25.4mm L X 250mm FL VIS 0°, CYLINDER LENS	
SURFACE QUALITY	60-40	60-40				
CLEAR APERTURE	22.86 x 22.86	22.86 x 22.86	ALL DIMS IN	mm	DWG NO	36216
BEVEL	PROTECTIVE AS NEEDED	PROTECTIVE AS NEEDED				SHEET 1 OF 1