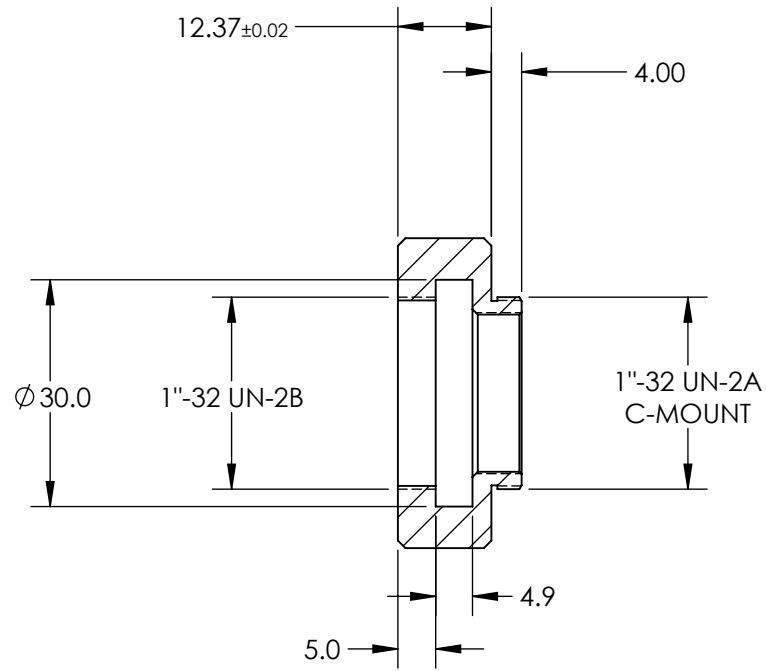
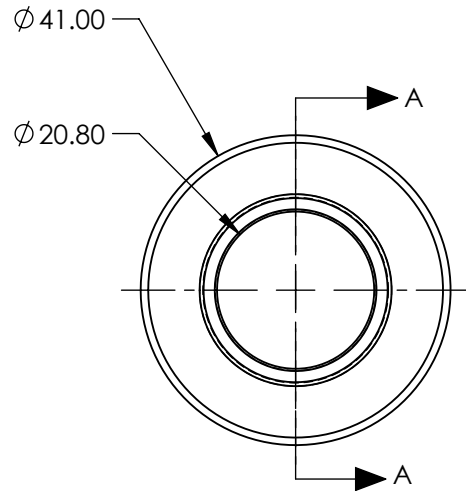
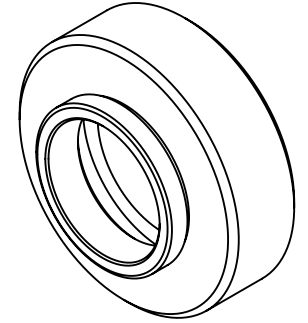


NOTES:

- 1. RoHS COMPLIANT



SECTION A-A

SPECIFICATIONS SUBJECT TO CHANGE WITHOUT NOTICE
DIMENSIONS ARE FOR REFERENCE ONLY

**FOR INFORMATION ONLY:
DO NOT MANUFACTURE
PARTS TO THIS DRAWING**

EO® Edmund Optics®

THIRD ANGLE PROJECTION		TITLE	WD SPACER FOR #86410(500-930 WD)	
ALL DIMS IN	mm	DWG NO	34237	SHEET 1 OF 1