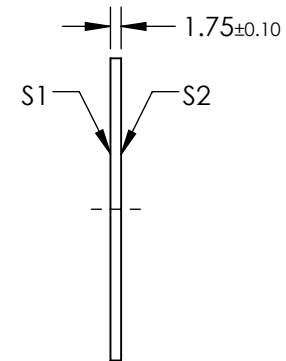
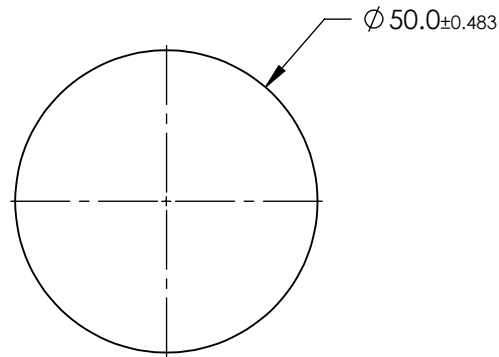
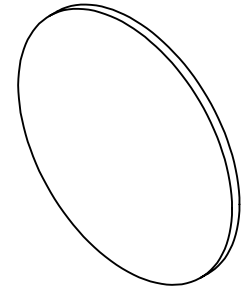


NOTES:

1. SUBSTRATE: WHITE DIFFUSER GLASS
2. FINISH: SANDBLAST SURFACES S1 AND S2 WITH 120 GRIT THROUGH 2 ORTHOGONAL PASSES
3. SURFACE S2 TO BE PARALLEL TO SURFACE S1 TO WITHIN 10 arcmin



**FOR INFORMATION ONLY:
DO NOT MANUFACTURE
PARTS TO THIS DRAWING**

SPECIFICATIONS SUBJECT TO CHANGE WITHOUT NOTICE
DIMENSIONS ARE FOR REFERENCE ONLY

EO® Edmund Optics®

	S1 AND S2	THIRD ANGLE PROJECTION	TITLE	BROADBAND HYBRID DIFFUSER, 50mm DIA	
SHAPE	PLANO		DWG NO	36614	SHEET 1 OF 1
BEVEL	PROTECTIVE AS NEEDED	ALL DIMS IN mm			