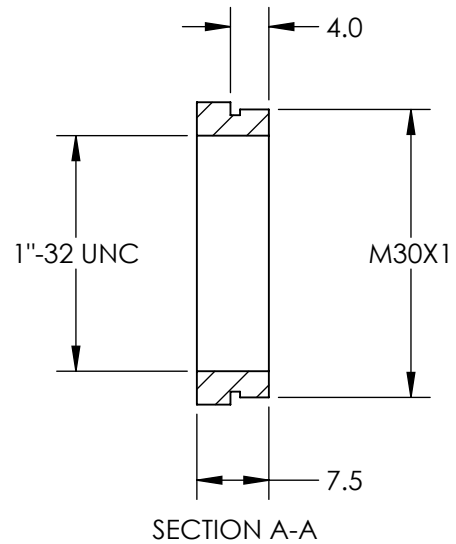
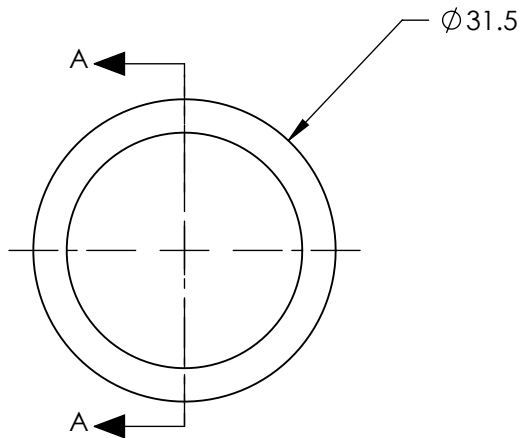


**FOR INFORMATION ONLY:
DO NOT MANUFACTURE
PARTS TO THIS DRAWING**



SPECIFICATIONS SUBJECT TO CHANGE WITHOUT NOTICE
DIMENSIONS ARE FOR REFERENCE ONLY

EO[®] Edmund Optics[®]

| | |
|----------|----------------|
| REV. A | VALUE |
| MATERIAL | ALUMINUM |
| FINISH | BLACK ANODIZED |

| | |
|------------------------|----|
| THIRD ANGLE PROJECTION | |
| ALL DIMS IN | mm |

| | | | |
|--------|--------------------|-------|--------|
| TITLE | M30 OUTPUT ADAPTER | | |
| DWG NO | 59138 | SHEET | 1 OF 1 |