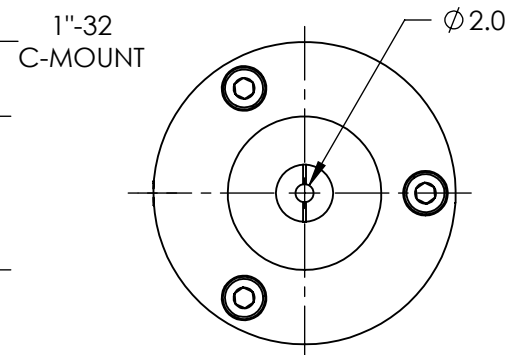
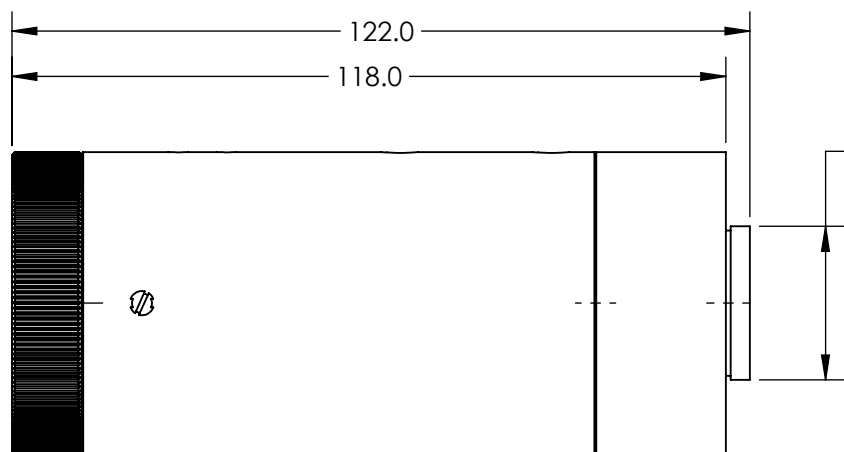
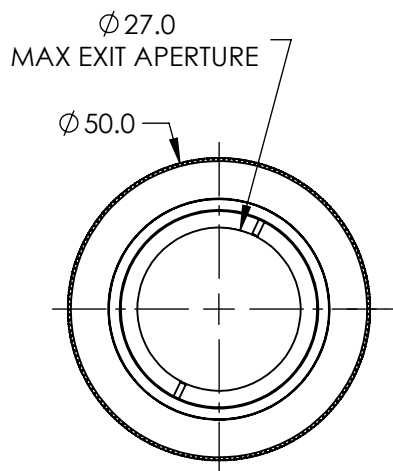
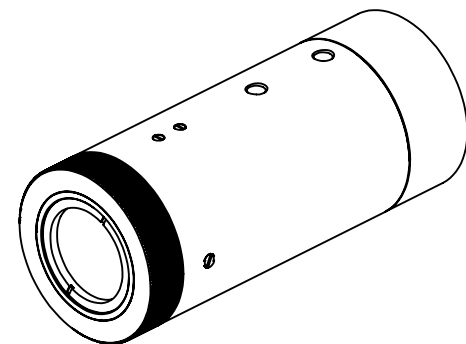


NOTES:

- COATING: BBAR (450-750nm)  
R(ABS) <0.4% @ 630 - 670nm  
R(AVG) <0.6% @ 450 - 750nm

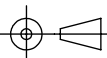
- RoHS COMPLIANT



**FOR INFORMATION ONLY:  
DO NOT MANUFACTURE  
PARTS TO THIS DRAWING**

SPECIFICATIONS SUBJECT TO CHANGE WITHOUT NOTICE  
DIMENSIONS ARE FOR REFERENCE ONLY



DESIGN WAVELENGTH DWL (nm)	633	THIRD ANGLE PROJECTION 	TITLE	10X Arcturus™ HeNe Beam Expander	
EXPANSION POWER	10X		DWG NO	55578	SHEET 1 OF 1
MOUNT	C-MOUNT	ALL DIMS IN mm			
TRANSMITTED WAVEFRONT, P-V	$\lambda/4$				