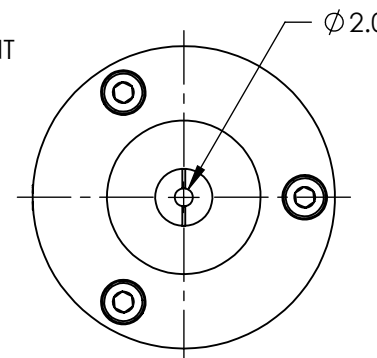
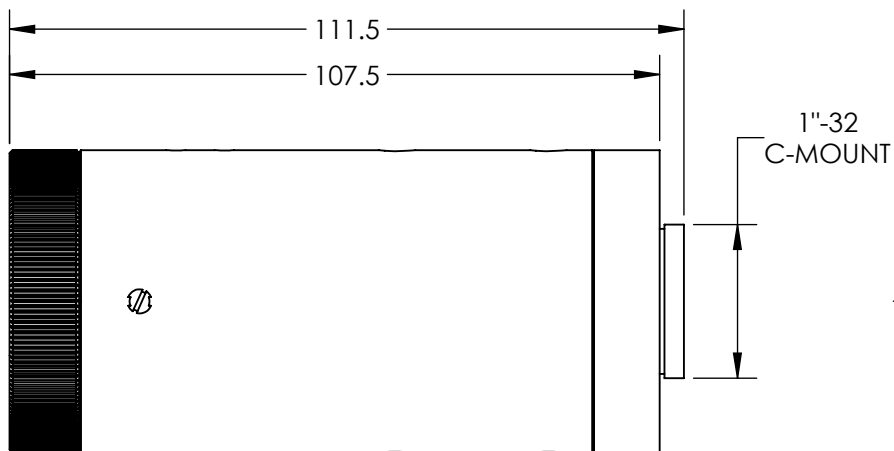
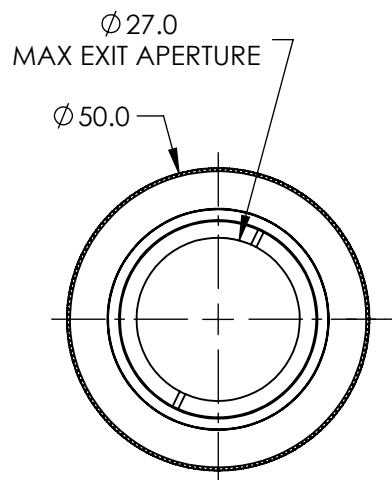
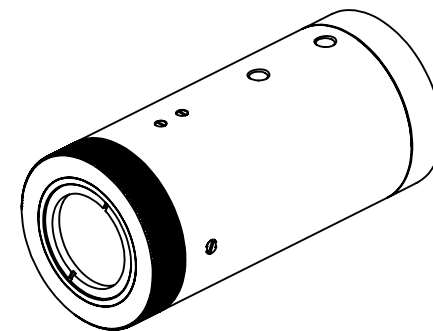


NOTES:

- COATING: BBAR (450-750nm)
 R(ABS) <0.4% @ 630 - 670nm
 R(AVG) <0.6% @ 450 - 750nm

- RoHS COMPLIANT



**FOR INFORMATION ONLY:
 DO NOT MANUFACTURE
 PARTS TO THIS DRAWING**

SPECIFICATIONS SUBJECT TO CHANGE WITHOUT NOTICE
 DIMENSIONS ARE FOR REFERENCE ONLY



DESIGN WAVELENGTH DWL (nm)	633
EXPANSION POWER	5X
MOUNT	C-MOUNT
TRANSMITTED WAVEFRONT, P-V	$\lambda/4$



ALL DIMS IN mm

TITLE	5X Arcturus™ HeNe Beam Expander		
DWG NO	55577	SHEET	1 OF 1