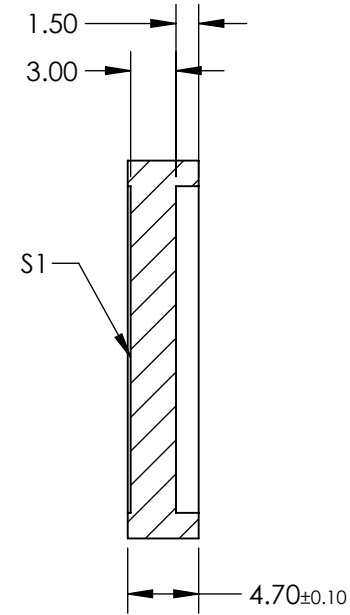
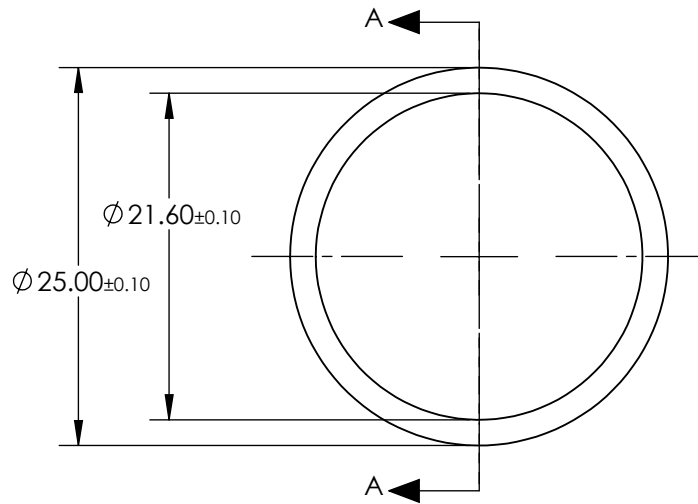
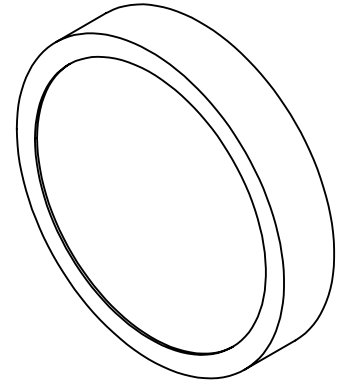


NOTES:

1. SUBSTRATE:
Fused Silica (Corning 7980)
2. TEMPERATURE RANGE:
-40 TO +170 °C

**FOR INFORMATION ONLY:
DO NOT MANUFACTURE
PARTS TO THIS DRAWING**



SECTION A-A

SPECIFICATIONS SUBJECT TO CHANGE WITHOUT NOTICE
DIMENSIONS ARE FOR REFERENCE ONLY

| | |
|-------------------------|----------------------------|
| | S1 |
| SPECTRAL RANGE | 200 - 1500nm |
| CLEAR APERTURE (mm) | $\varnothing 21.6 \pm 0.1$ |
| DIFFUSING ANGLE | $2 \pm 1.5^\circ$ |
| TRANSMISSION EFFICIENCY | 90% |

THIRD ANGLE PROJECTION

ALL DIMS IN mm

Edmund Optics®

TITLE

15° DIFFUSING ANGLE 25mm DIA., UV
HOLOGRAPHIC DIFFUSER

DWG NO

48507

SHEET
1 OF 1