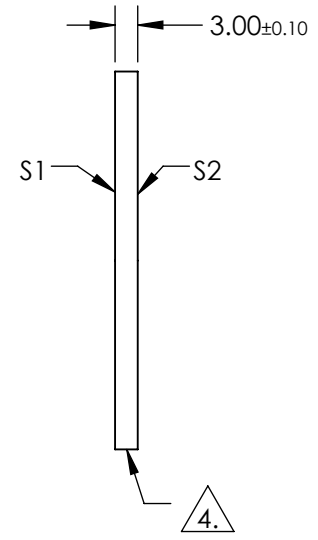
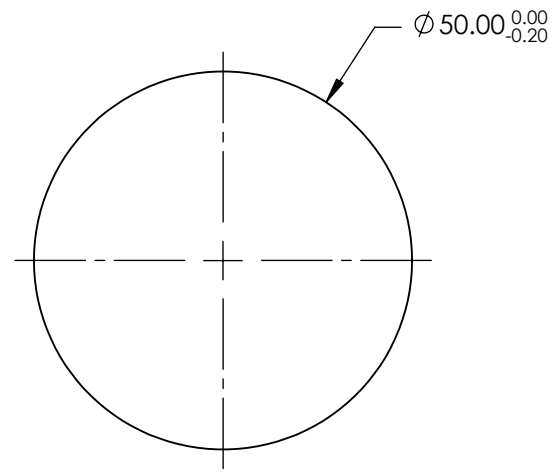


NOTES:

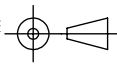
1. SUBSTRATE: UV GRADE FUSED SILICA
2. COATING (APPLY ACROSS COATING APERTURE)  
S1 & S2: RABS  $\leq 1.0\%$  @ 350 - 450nm  
RAVG  $\leq 1.5\%$  @ 250 - 700nm
3. SURFACE S2 TO BE PARALLEL TO SURFACE S1 WITHIN  $<5$  ARCSEC
4. FINE GRIND SURFACE
5. RoHS COMPLIANT



**FOR INFORMATION ONLY:  
DO NOT MANUFACTURE  
PARTS TO THIS DRAWING**

SPECIFICATIONS SUBJECT TO CHANGE WITHOUT NOTICE  
DIMENSIONS ARE FOR REFERENCE ONLY

	S1	S2
SHAPE	PLANO	PLANO
SURFACE QUALITY	20-10	20-10
CLEAR APERTURE	Ø40.00	Ø40.00
BEVEL	PROTECTIVE AS NEEDED	PROTECTIVE AS NEEDED

THIRD ANGLE PROJECTION 

ALL DIMS IN mm

 **Edmund Optics®**

TITLE: 50mm DIA., 3mm THICK, UV-VIS COATED  $\lambda/10$  FUSED SILICA WINDOW

DWG NO: 36949

SHEET 1 OF 1