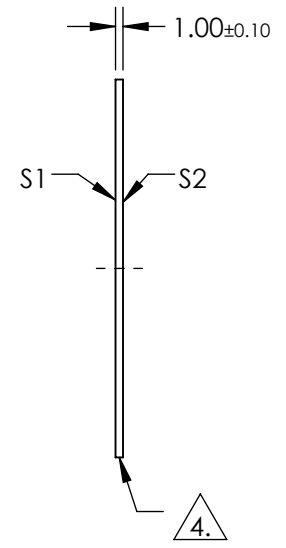
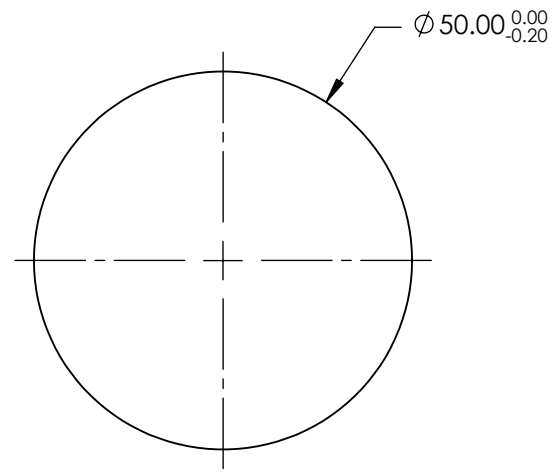


NOTES:

1. SUBSTRATE: UV GRADE FUSED SILICA
2. COATING (APPLY ACROSS COATING APERTURE)  
 S1 & S2: RABS  $\leq 0.25\%$  @ 880nm  
 RAVG  $\leq 1.25\%$  @ 400 - 870nm  
 RAVG  $\leq 1.25\%$  @ 890 - 1000nm
3. SURFACE S2 TO BE PARALLEL TO SURFACE S1 WITHIN  $<5$  ARCSEC
4. FINE GRIND SURFACE
5. RoHS COMPLIANT



**FOR INFORMATION ONLY:  
DO NOT MANUFACTURE  
PARTS TO THIS DRAWING**

SPECIFICATIONS SUBJECT TO CHANGE WITHOUT NOTICE  
DIMENSIONS ARE FOR REFERENCE ONLY

	S1	S2
SHAPE	PLANO	PLANO
SURFACE QUALITY	20-10	20-10
CLEAR APERTURE	$\varnothing 40.00$	$\varnothing 40.00$
BEVEL	PROTECTIVE AS NEEDED	PROTECTIVE AS NEEDED



**EO**<sup>®</sup> **Edmund Optics**<sup>®</sup>

TITLE: 50mm DIA., 1mm THICK, VIS-NIR COATED  $\lambda/10$  FUSED SILICA WINDOW

DWG NO: 36941

SHEET 1 OF 1

ALL DIMS IN mm