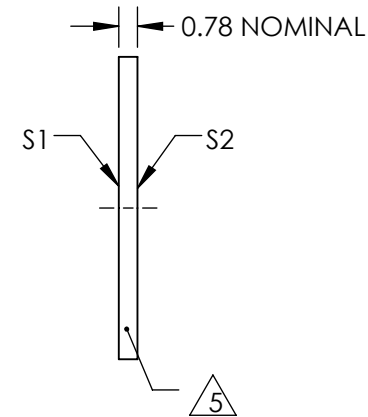
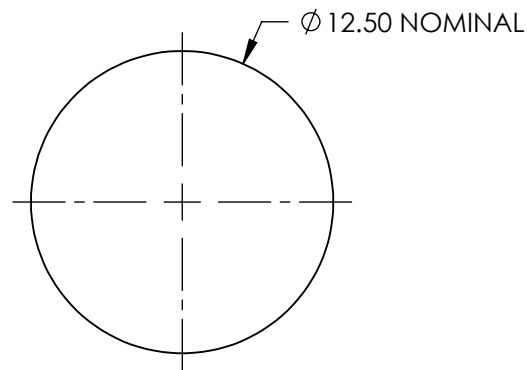
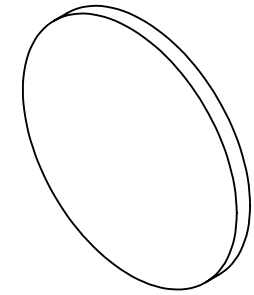


NOTES:

1. SUBSTRATE:  
POLYCARBONATE
2. OPERATING TEMPERATURE (°C): -30 TO +100 (MAXIMUM OF 240 HOURS)
3. DAMAGE THRESHHOLD (PULSED): 0.22 @ 1064nm J/cm<sup>2</sup> @ 10ns
4. TRANSMISSION (%): 85

△ 5 EDGES CUT AND SEAMED

6. RoHS: COMPLIANT



**FOR INFORMATION ONLY:  
DO NOT MANUFACTURE  
PARTS TO THIS DRAWING**

SPECIFICATIONS SUBJECT TO CHANGE WITHOUT NOTICE  
DIMENSIONS ARE FOR REFERENCE ONLY

	S1	S2
SHAPE	PLANO	PLANO
WAVELENGTH RANGE	400 - 1600nm	400 - 1600nm
DIFFUSING ANGLE (FWHM)	60 ±6°	60 ±6°
BEVEL	PROTECTIVE AS NEEDED	PROTECTIVE AS NEEDED

THIRD ANGLE PROJECTION

ALL DIMS IN mm

Edmund Optics®

TITLE

60° DIFFUSING ANGLE Ø12.5mm  
UNMOUNTED HOLOGRAPHIC DIFFUSER

DWG NO

35869

SHEET  
1 OF 1