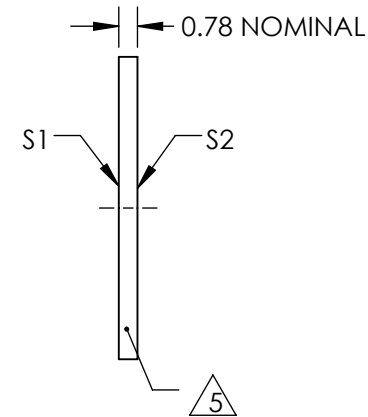
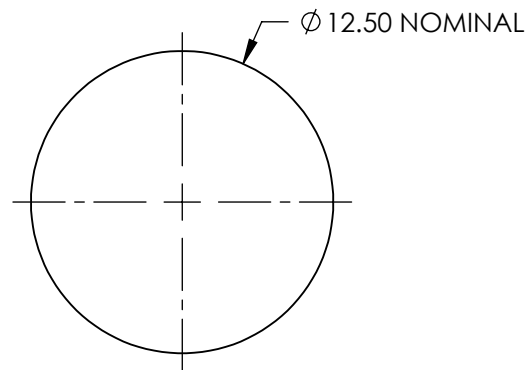
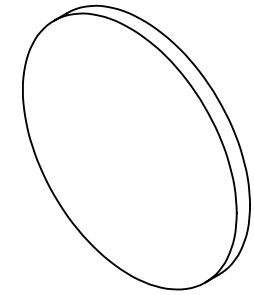


NOTES:

1. SUBSTRATE:
POLYCARBONATE
2. OPERATING TEMPERATURE (°C): -30 TO +100 (MAXIMUM OF 240 HOURS)
3. DAMAGE THRESHHOLD (PULSED): 0.22 @ 1064nm J/cm² @ 10ns
4. TRANSMISSION (%): 85

 EDGES CUT AND SEAMED

6. RoHS: COMPLIANT



**FOR INFORMATION ONLY:
DO NOT MANUFACTURE
PARTS TO THIS DRAWING**

SPECIFICATIONS SUBJECT TO CHANGE WITHOUT NOTICE
DIMENSIONS ARE FOR REFERENCE ONLY

| | S1 | S2 |
|------------------------|----------------------|----------------------|
| SHAPE | PLANO | PLANO |
| WAVELENGTH RANGE | 400 - 1600nm | 400 - 1600nm |
| DIFFUSING ANGLE (FWHM) | 5 ±1° | 5 ±1° |
| BEVEL | PROTECTIVE AS NEEDED | PROTECTIVE AS NEEDED |

THIRD ANGLE PROJECTION 

ALL DIMS IN mm

 **Edmund Optics®**

TITLE

5° DIFFUSING ANGLE Ø12.5mm
UNMOUNTED HOLOGRAPHIC DIFFUSER

DWG NO

35862

SHEET
1 OF 1