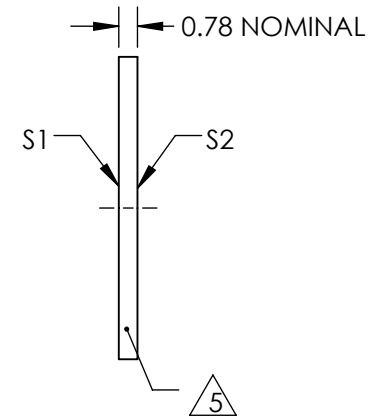
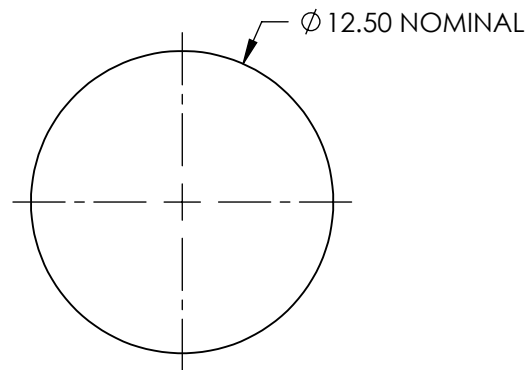
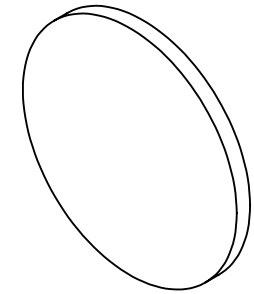


NOTES:

1. SUBSTRATE:
POLYCARBONATE
2. OPERATING TEMPERATURE (°C): -30 TO +100 (MAXIMUM OF 240 HOURS)
3. DAMAGE THRESHHOLD (PULSED): 0.22 @ 1064nm J/cm² @ 10ns
4. TRANSMISSION (%): 85

 EDGES CUT AND SEAMED

6. RoHS: COMPLIANT



**FOR INFORMATION ONLY:
DO NOT MANUFACTURE
PARTS TO THIS DRAWING**

SPECIFICATIONS SUBJECT TO CHANGE WITHOUT NOTICE
DIMENSIONS ARE FOR REFERENCE ONLY

	S1	S2
SHAPE	PLANO	PLANO
WAVELENGTH RANGE	400 - 1600nm	400 - 1600nm
DIFFUSING ANGLE (FWHM)	1 ±1°	1 ±1°
BEVEL	PROTECTIVE AS NEEDED	PROTECTIVE AS NEEDED

THIRD ANGLE PROJECTION 

ALL DIMS IN mm

 **Edmund Optics®**

TITLE

1° DIFFUSING ANGLE Ø12.5mm
UNMOUNTED HOLOGRAPHIC DIFFUSER

DWG NO

35861

SHEET
1 OF 1