

NOTES:

1. SUBSTRATE MATERIAL:  
Crystalline Quartz

2. COATING (APPLY ACROSS CLEAR APERTURE)

S1 & S2: R(avg) < 0.2% per surface  
DAMAGE THRESHOLD, PULSED: > 10 J/cm<sup>2</sup> @ 10ns  
WAVEFRONT DISTORTION (P-V):  $\lambda/8$  @ 633nm

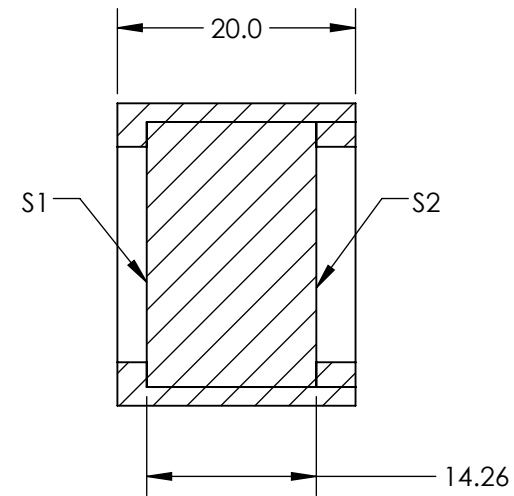
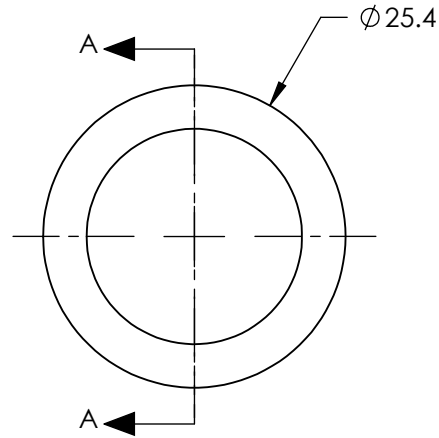
3. ROTATIONAL ACCURACY: < 5 arcmin  
POLARIZATION ROTATION: 90° (clockwise)

4. PARALLELISM: < 10 arcsec

5. RETARDANCE:  $\lambda/4$

6. RoHS COMPLIANT

**FOR INFORMATION ONLY:  
DO NOT MANUFACTURE  
PARTS TO THIS DRAWING**



SECTION A-A

SPECIFICATIONS SUBJECT TO CHANGE WITHOUT NOTICE  
DIMENSIONS ARE FOR REFERENCE ONLY



REV. A	S1	S2				
SHAPE	PLANO	PLANO	THIRD ANGLE PROJECTION		TITLE	90° 1064nm Crystalline Quartz Polarization Rotator
CLEAR APERTURE	Ø18.00	Ø18.00	ALL DIMS IN	mm	DWG NO	34306
SURFACE QUALITY	20-10	20-10				SHEET 1 OF 1