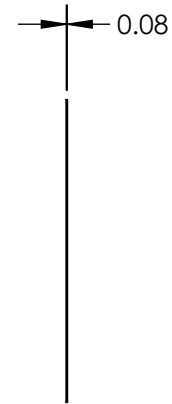
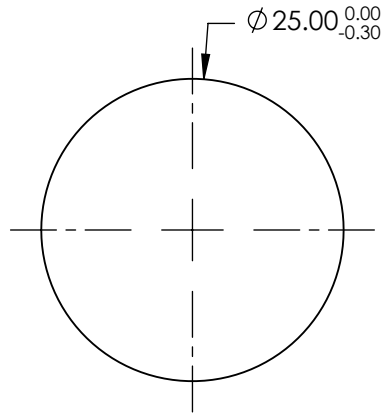
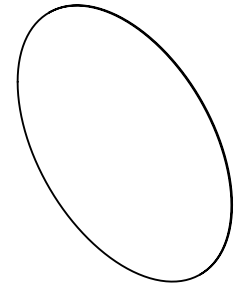


NOTES:

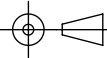
1. SUBSTRATE: TAC Film
2. CONTRAST: >4, 250:1 (@ 550nm)
3. TRANSMISSION (%): 85 (Typical @ 550nm)
4. WAVELENGTH RANGE: 400 - 1200 nm
5. ORIENTATION OF AXIS: $0^\circ \pm 1.5^\circ$
NOTCHES ON POLARIZING FILM DEPICT DIRECTION OF POLARIZATION DIRECTION
6. ROHS COMPLIANT

**FOR INFORMATION ONLY:
DO NOT MANUFACTURE
PARTS TO THIS DRAWING**



SPECIFICATIONS SUBJECT TO CHANGE WITHOUT NOTICE
DIMENSIONS ARE FOR REFERENCE ONLY

EO® **Edmund Optics**®

THIRD ANGLE PROJECTION 		TITLE	Ø25mm, WIRE GRID POLARIZING FILM	
ALL DIMS IN	mm	DWG NO	34254	SHEET 1 OF 1