

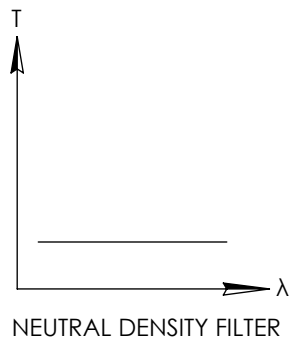
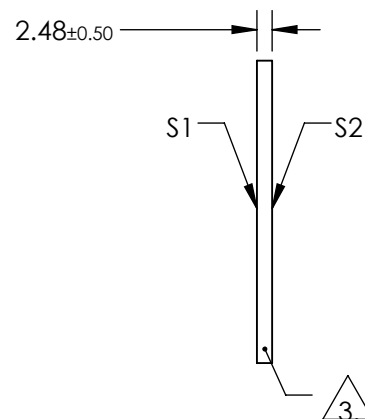
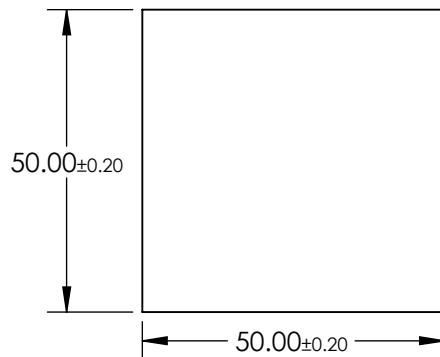
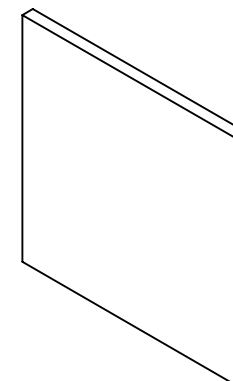
NOTES:

1. SUBSTRATE:
HOYA GLASS: ND-006
2. SURFACE S2 TO BE PARALLEL WITH SURFACE S1 TO WITHIN <0.02 mm

**FOR INFORMATION ONLY:
DO NOT MANUFACTURE
PARTS TO THIS DRAWING**

3. FINE GRIND SURFACE

4. OPTICAL DENSITY: 3.5 ± 0.2
5. TRANSMISSION (%): 0.03 % AVERAGE FROM 400-700nm
6. ROHS COMPLIANT



SPECIFICATIONS SUBJECT TO CHANGE WITHOUT NOTICE
DIMENSIONS ARE FOR REFERENCE ONLY

EO® Edmund Optics®

| | | | | | | | |
|-----------------|----------------------|----------------------|------------------------|----|--------|--|--------------|
| | S1 | S2 | THIRD ANGLE PROJECTION | | TITLE | OD 3.5, 50 x 50mm ABSORPTIVE ND FILTER | |
| SHAPE | PLANO | PLANO | ALL DIMS IN | mm | DWG NO | 36271 | SHEET 1 OF 1 |
| SURFACE QUALITY | 80-50 | 80-50 | | | | | |
| BEVEL | PROTECTIVE AS NEEDED | PROTECTIVE AS NEEDED | | | | | |