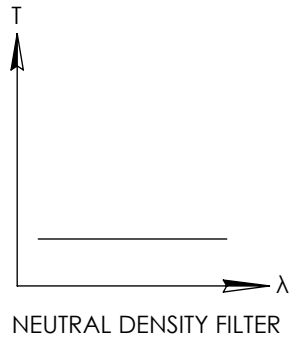
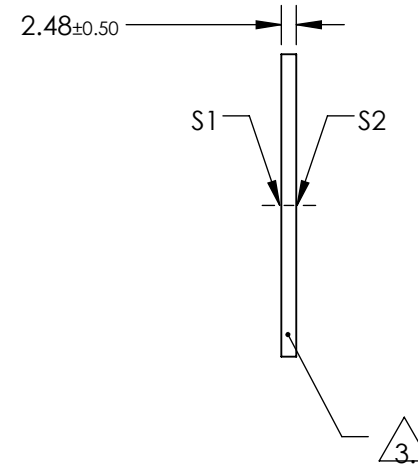
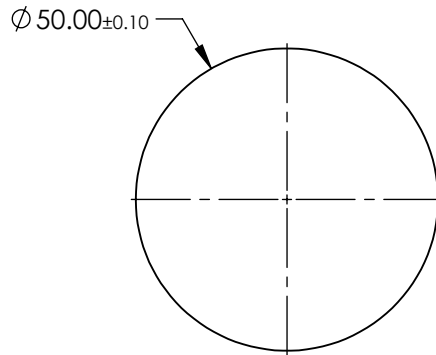
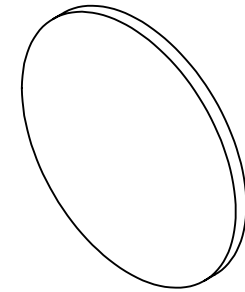


NOTES:

1. SUBSTRATE:  
HOYA GLASS: ND-006
2. SURFACE S2 TO BE PARALLEL WITH SURFACE S1 TO WITHIN <0.02mm
3. FINE GRIND SURFACE
4. OPTICAL DENSITY: 3.5 ±0.2
5. TRANSMISSION (%): 0.03 % AVERAGE FROM 400-700nm
6. ROHS COMPLIANT

**FOR INFORMATION ONLY:  
DO NOT MANUFACTURE  
PARTS TO THIS DRAWING**



SPECIFICATIONS SUBJECT TO CHANGE WITHOUT NOTICE  
DIMENSIONS ARE FOR REFERENCE ONLY

**EO**® Edmund Optics®

	S1	S2	THIRD ANGLE PROJECTION		TITLE	OD 3.5, Ø50mm ABSORPTIVE ND FILTER	
SHAPE	PLANO	PLANO	ALL DIMS IN	mm	DWG NO	36270	SHEET 1 OF 1
SURFACE QUALITY	80-50	80-50					
BEVEL	PROTECTIVE AS NEEDED	PROTECTIVE AS NEEDED					