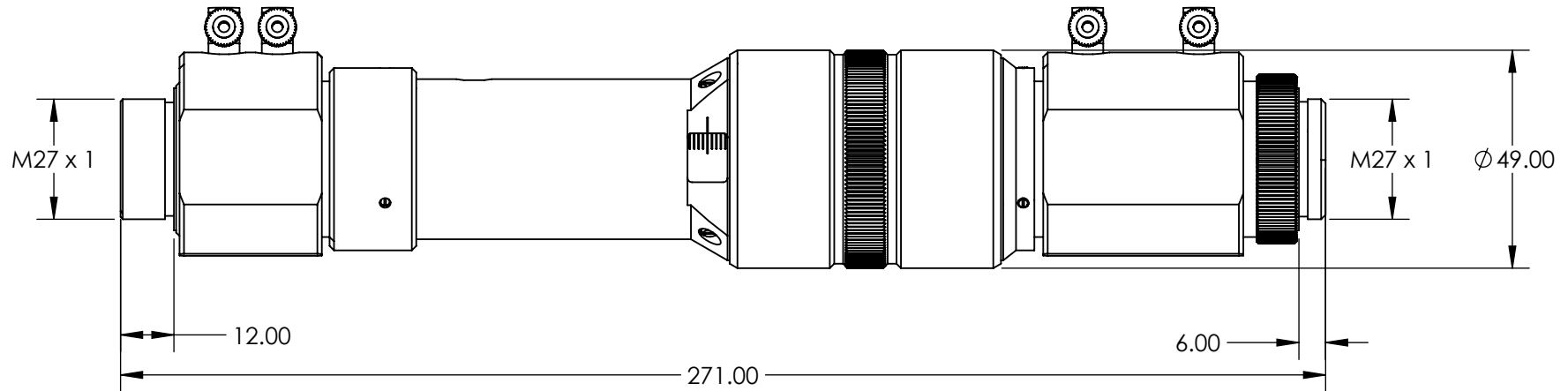
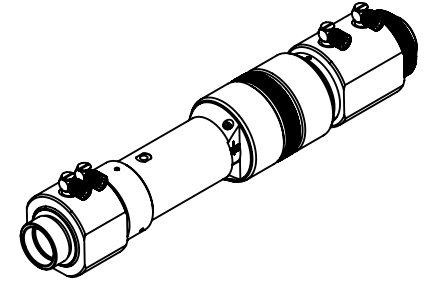


NOTES:

1. RoHS: COMPLIANT

**FOR INFORMATION ONLY:  
DO NOT MANUFACTURE  
PARTS TO THIS DRAWING**



SPECIFICATIONS SUBJECT TO CHANGE WITHOUT NOTICE  
DIMENSIONS ARE FOR REFERENCE ONLY

**EO**® **Edmund Optics**®

| REV. A                     | VALUE                 |
|----------------------------|-----------------------|
| DESIGN WAVELENGTH DWL (nm) | 10,500                |
| INPUT DIAMETER             | 12(1/e <sup>2</sup> ) |
| WAVELENGTH RANGE(nm)       | 10,000 - 11,000       |



ALL DIMS IN

mm

TITLE

12mm FLAT TOP BEAM SHAPER

DWG NO

34260

SHEET  
1 OF 1