

NOTES:

**FOR INFORMATION ONLY:  
DO NOT MANUFACTURE  
PARTS TO THIS DRAWING**

1. SUBSTRATE  
SAPPHIRE (AI203)
2. SURFACE S2 TO BE PARALLEL WITH SURFACE S1 TO WITHIN 3.5 ARCMIN
3. COATING (APPLY ACROSS CLEAR APERTURE)

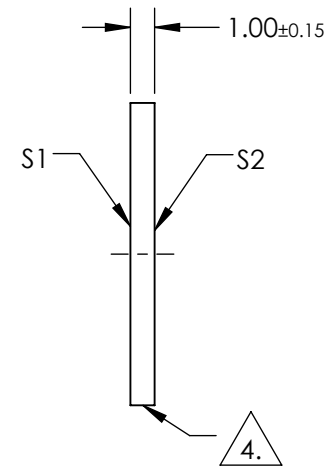
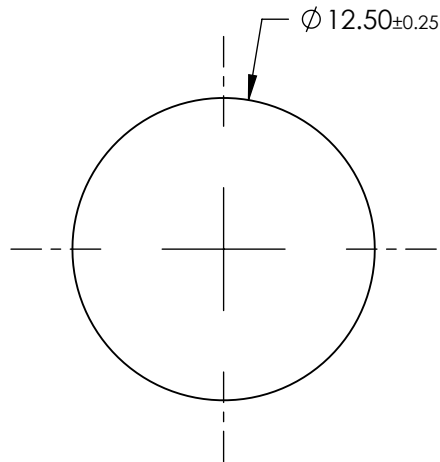
S1: NONE

S2: NONE

 FINE GRIND SURFACE

4. POWER, IRREGULARITY, AND SURFACE QUALITY SPECIFICATIONS  
APPLY ACROSS CLEAR APERTURE

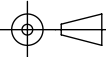
5. ROHS COMPLIANT



	S1	S2
SHAPE	PLANO	PLANO
CLEAR APERTURE	Ø11.25	Ø11.25
SURFACE FLATNESS	2λ	2λ
SURFACE ROUGHNESS	0.1 MICRONS PER INCH	0.1 MICRONS PER INCH
SURFACE QUALITY	80-50	80-50
BIREFRINGENCE (n <sub>o</sub> -n <sub>e</sub> )	0.008	0.008
BEVEL	PROTECTIVE AS NEEDED	PROTECTIVE AS NEEDED

SPECIFICATIONS SUBJECT TO CHANGE WITHOUT NOTICE  
DIMENSIONS ARE FOR REFERENCE ONLY

 **Edmund Optics®**

THIRD ANGLE PROJECTION 

ALL DIMS IN mm

TITLE	12.5mm DIAMETER UNCOATED, SAPPHIRE WINDOW	
DWG NO	36252	SHEET 1 OF 1