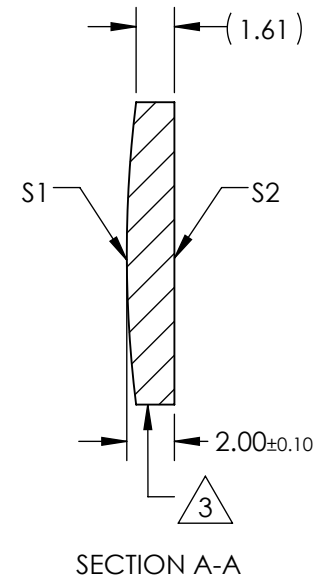
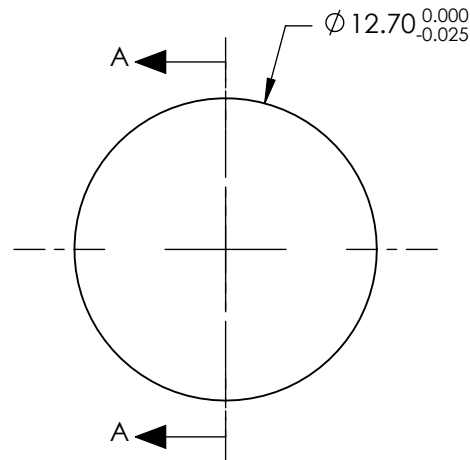


NOTES:


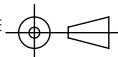
1. SUBSTRATE MATERIAL:  
N-BK7
2. COATING (APPLY ACROSS CLEAR APERTURE)  
S1 & S2:  
NIR I  
R(AVG) ≤ 0.5% FROM 600-1050nm @ 0° AOI
3. FINE GROUND SURFACE
4. POWER, IRREGULARITY, AND SURFACE QUALITY SPECIFICATIONS APPLY ACROSS CLEAR APERTURE
5. FOCAL LENGTH TOLERANCE: ±1%
6. PLANO AXIS WEDGE TOLERANCE: < 5 ARCMIN  
POWER AXIS WEDGE TOLERANCE: < 5 ARCMIN
7. RoHS COMPLIANT



**FOR INFORMATION ONLY:  
DO NOT MANUFACTURE  
PARTS TO THIS DRAWING**

REV. A	S1	S2
SHAPE	CONVEX	PLANO
RADIUS	51.68	∞
SURFACE QUALITY	40 - 20	40 - 20
CLEAR APERTURE	Ø11.43	Ø11.43
COATING APERTURE	Ø11.43	Ø11.43
POWER AT 632.8nm	1.5 WAVES PV	1.5 WAVES PV
IRREGULARITY AT 632.8nm	0.25 WAVE PV	0.25 WAVE PV
BEVEL	PROTECTIVE AS NEEDED	PROTECTIVE AS NEEDED

SPECIFICATIONS SUBJECT TO CHANGE WITHOUT NOTICE  
DIMENSIONS ARE FOR REFERENCE ONLY

EFL	100mm	 <b>Edmund Optics®</b>		
BFL	98.68mm			
THIRD ANGLE PROJECTION		TITLE	LENS CYL SHAPING 12.7mm DIA. X 100mm FL NIR I	
ALL DIMS IN	mm	DWG NO	34670	SHEET 1 OF 1