

NOTES:

1. SUBSTRATE MATERIAL:
N-BK7
2. COATING (APPLY ACROSS CLEAR APERTURE)
S1 & S2:
NIR II
R(ABS) ≤ 1.5% FROM 750-800nm @ 0° AOI
R(ABS) ≤ 1.0% FROM 800-1550nm @ 0° AOI
R(AVG) ≤ 0.7% FROM 750-1550nm @ 0° AOI

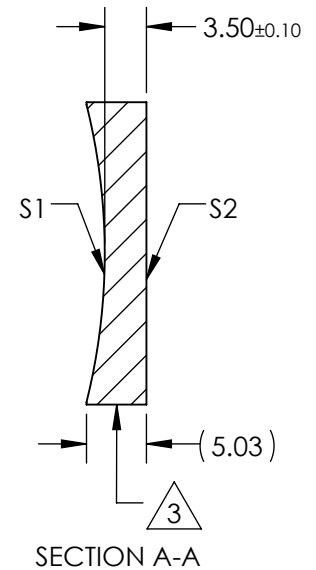
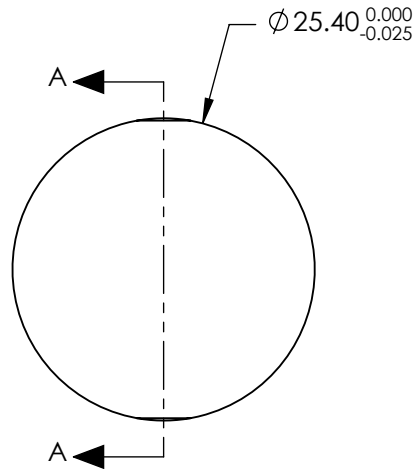
3. FINE GROUND SURFACE

4. POWER, IRREGULARITY, AND SURFACE QUALITY SPECIFICATIONS APPLY ACROSS CLEAR APERTURE

5. FOCAL LENGTH TOLERANCE: ±1%

6. PLANO AXIS WEDGE TOLERANCE: < 5 ARCMIN
POWER AXIS WEDGE TOLERANCE: < 5 ARCMIN


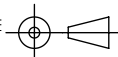
7. RoHS COMPLIANT



**FOR INFORMATION ONLY:
DO NOT MANUFACTURE
PARTS TO THIS DRAWING**

| REV. A | S1 | S2 |
|-------------------------|----------------------|----------------------|
| SHAPE | CONCAVE | PLANO |
| RADIUS | 51.68 | ∞ |
| SURFACE QUALITY | 40 - 20 | 40 - 20 |
| CLEAR APERTURE | Ø22.86 | Ø22.86 |
| COATING APERTURE | Ø22.86 | Ø22.86 |
| POWER AT 632.8nm | 1.5 WAVES PV | 1.5 WAVES PV |
| IRREGULARITY AT 632.8nm | 0.25 WAVE PV | 0.25 WAVE PV |
| BEVEL | PROTECTIVE AS NEEDED | PROTECTIVE AS NEEDED |

SPECIFICATIONS SUBJECT TO CHANGE WITHOUT NOTICE
DIMENSIONS ARE FOR REFERENCE ONLY

| | | | | |
|------------------------|---|---|-------|--|
| EFL | (-100)mm |  Edmund Optics® | TITLE | LENS CYL SHAPING 25.4 x -100 FL NIR II |
| BFL | (-102.31)mm | | | |
| THIRD ANGLE PROJECTION |  | DWG NO | 34644 | SHEET 1 OF 1 |
| ALL DIMS IN | mm | | | |