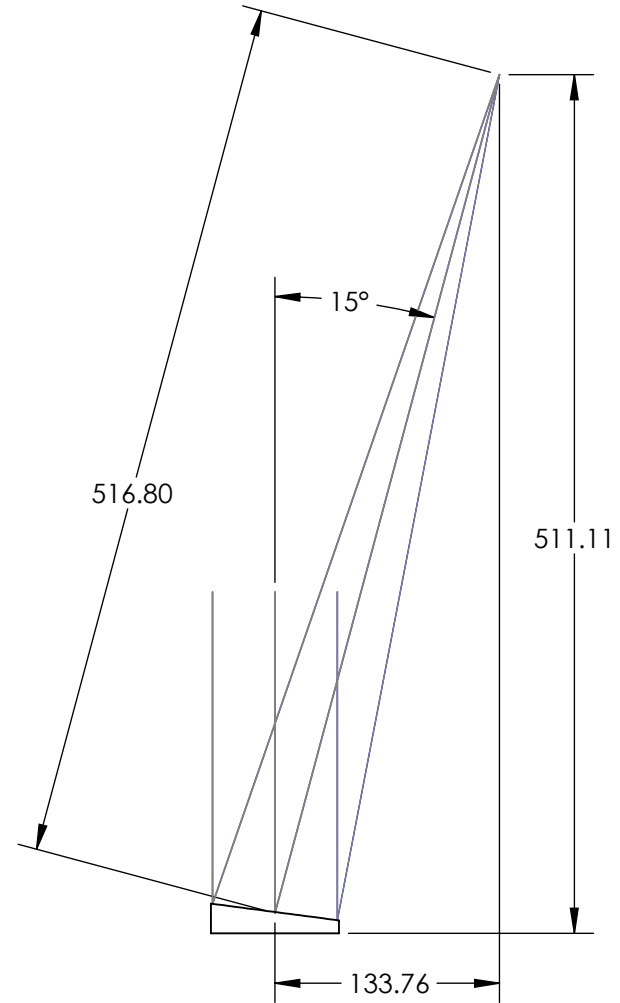
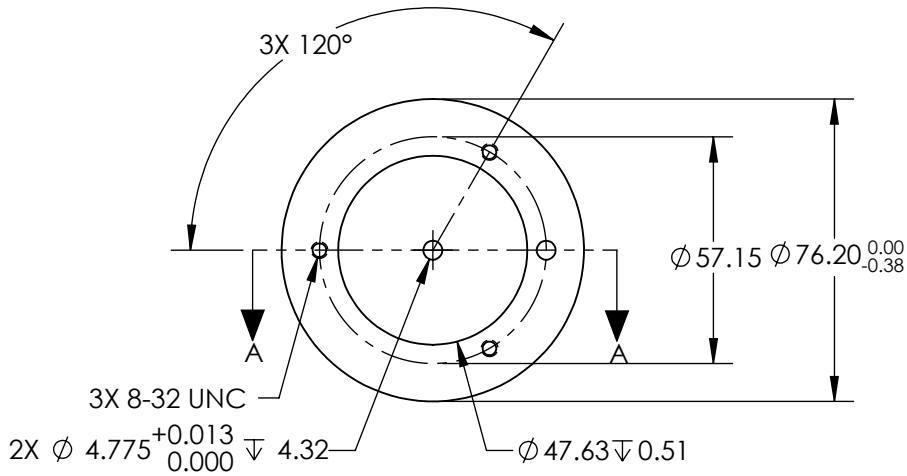
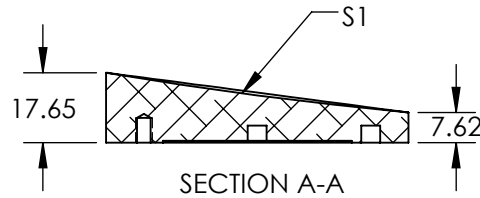


NOTES:

1. SUBSTRATE MATERIAL:
ALUMINUM
2. FINISH (EXCEPT SURFACE S1):
BLACK ANODIZED
3. COATING (APPLY ACROSS CLEAR APERTURE)
S1: PROTECTED GOLD
R(AVG) >94% @ 700 - 800nm
R(AVG) >97% @ 800 - 2000nm
R(AVG) >98% @ 2000 - 12000nm

SURFACE ROUGHNESS: <100 Å RMS
4. FOCAL LENGTH TOLERANCE: ±1%
5. ROHS COMPLIANT

FOR INFORMATION ONLY:
DO NOT MANUFACTURE
PARTS TO THIS DRAWING



SPECIFICATIONS SUBJECT TO CHANGE WITHOUT NOTICE
DIMENSIONS ARE FOR REFERENCE ONLY

| | | | | | |
|--|----------------------|------------------------|--------|-----------------------|---|
| REV. A | S1 | EFL | 516.80 | Edmund Optics® | |
| SHAPE | PARABOLIC | PFL | 508.00 | | |
| REFLECTIVE WAVEFRONT DISTORTION AT 632.8nm (RMS) | 3/2λ | THIRD ANGLE PROJECTION | | TITLE | Ø76.2 X 516.8mm EFL 15° OAP PROTECTED GOLD MIRROR 100Å |
| SURFACE FIGURE AT 632.8nm (RMS) | 3/4λ | ALL DIMS IN | mm | DWG NO | |
| CLEAR APERTURE | 90% | | | | SHEET 1 OF 1 |
| BEVEL | PROTECTIVE AS NEEDED | | | | |