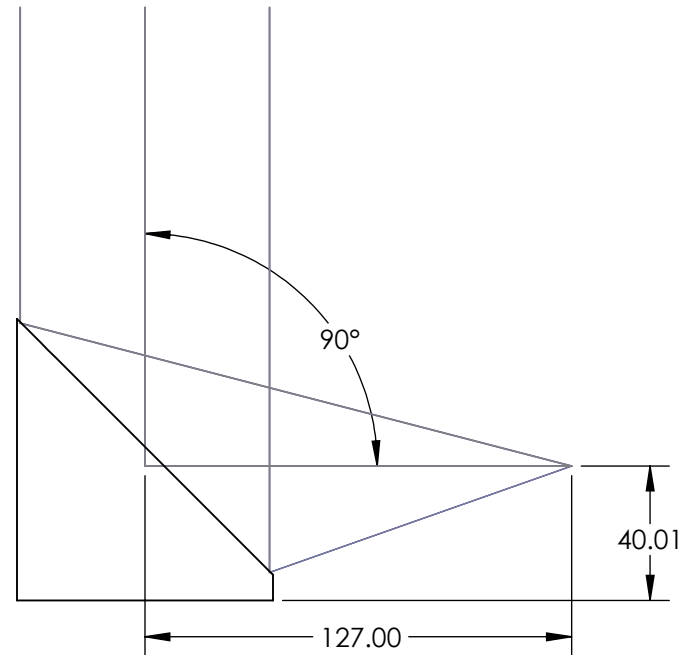
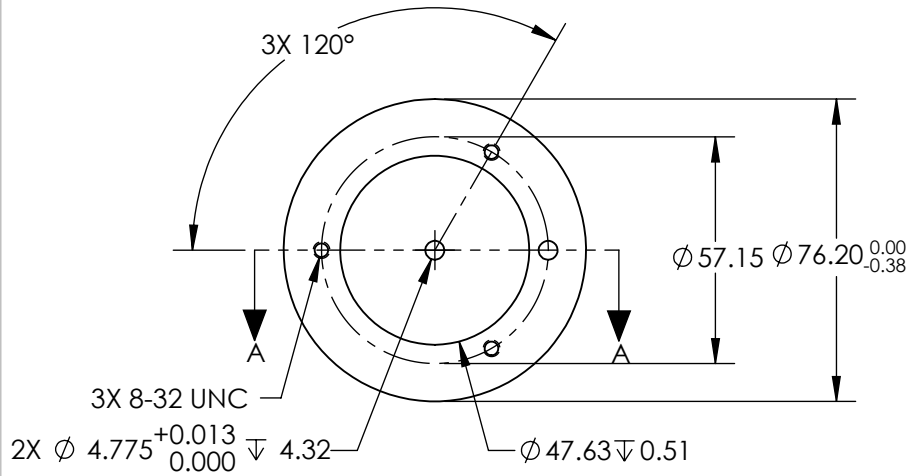
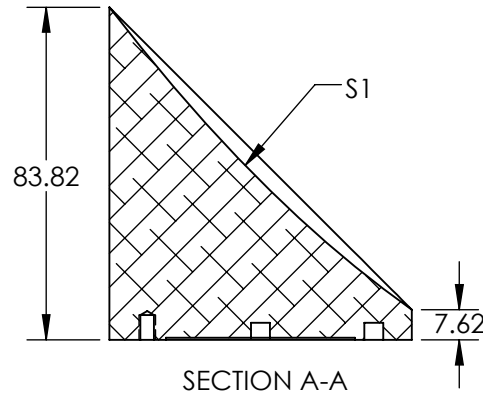


NOTES:

1. SUBSTRATE MATERIAL:  
ALUMINUM
2. FINISH (EXCEPT SURFACE S1):  
BLACK ANODIZED
3. COATING (APPLY ACROSS CLEAR APERTURE)  
S1: BARE GOLD  
R(AVG) >94% @ 700 - 800nm  
R(AVG) >97% @ 800 - 2000nm  
R(AVG) >98% @ 2000 - 12000nm  
  
SURFACE ROUGHNESS: <100 Å RMS
4. FOCAL LENGTH TOLERANCE: ±1%
5. ROHS COMPLIANT

**FOR INFORMATION ONLY:  
DO NOT MANUFACTURE  
PARTS TO THIS DRAWING**



SPECIFICATIONS SUBJECT TO CHANGE WITHOUT NOTICE  
DIMENSIONS ARE FOR REFERENCE ONLY

REV. A	S1	EFL	127.00	<b>Edmund Optics®</b>	TITLE Ø76.2 X 127mm EFL 90° OAP BARE GOLD MIRROR 100Å	DWG NO 35657	SHEET 1 OF 1
SHAPE	PARABOLIC	PFL	63.50				
REFLECTIVE WAVEFRONT DISTORTION AT 632.8nm (RMS)	3/2λ	THIRD ANGLE PROJECTION					
SURFACE FIGURE AT 632.8nm (RMS)	3/4λ	ALL DIMS IN	mm				
CLEAR APERTURE	90%						
BEVEL	PROTECTIVE AS NEEDED						