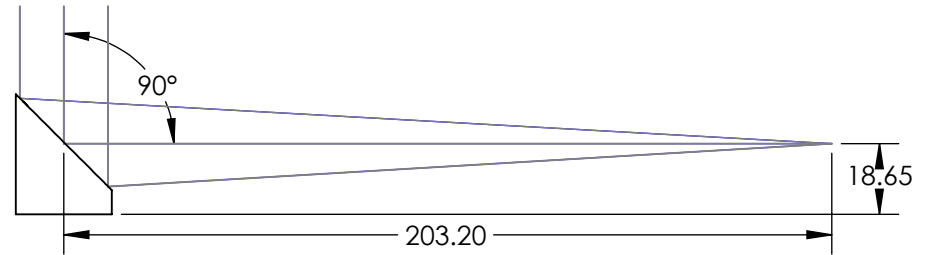
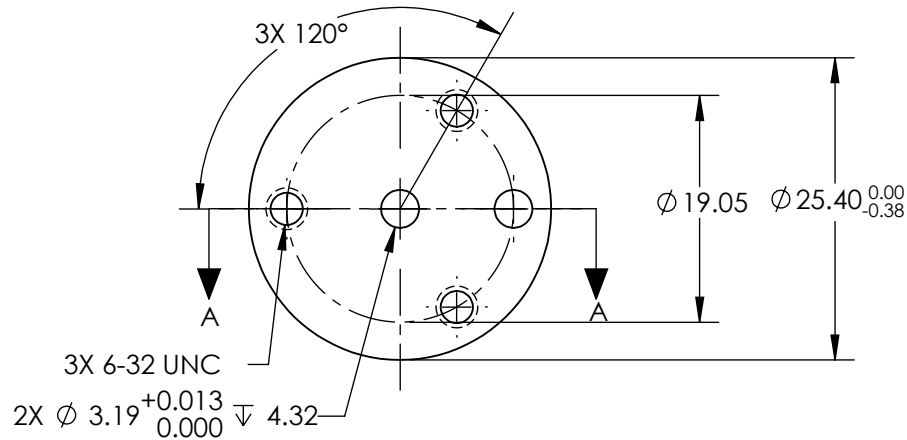
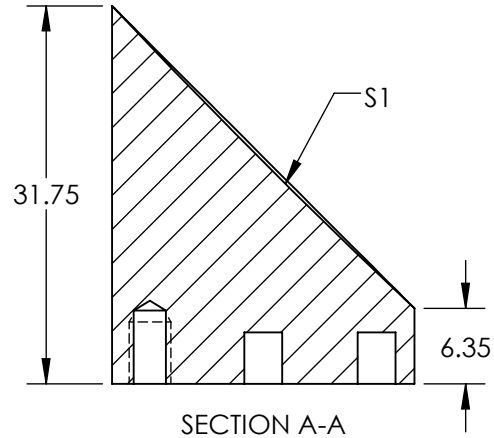
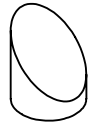


NOTES:

1. SUBSTRATE MATERIAL:  
ALUMINUM
2. FINISH (EXCEPT SURFACE S1):  
BLACK ANODIZED
3. COATING (APPLY ACROSS CLEAR APERTURE)  
S1: BARE GOLD  
R(AVG) >94% @ 0.7-0.8 $\mu$ m  
R(AVG) >97% @ 0.8-2.0 $\mu$ m  
R(AVG) >98% @ 2-12 $\mu$ m  
  
SURFACE ROUGHNESS: <100 Å RMS
4. FOCAL LENGTH TOLERANCE:  $\pm$ 1%
5. ROHS COMPLIANT

FOR INFORMATION ONLY:  
DO NOT MANUFACTURE  
PARTS TO THIS DRAWING



SPECIFICATIONS SUBJECT TO CHANGE WITHOUT NOTICE  
DIMENSIONS ARE FOR REFERENCE ONLY

|  |                      |                        |        |                       |   |
|--|----------------------|------------------------|--------|-----------------------|---|
| REV. A   | S1                   | EFL                    | 203.20 | <b>Edmund Optics®</b> |   |
| SHAPE  | PARABOLIC            | PFL                    | 101.60 |                       |   |
| REFLECTIVE WAVEFRONT DISTORTION AT 632.8nm (RMS) | $\lambda/2$          | THIRD ANGLE PROJECTION |        | TITLE                 | Ø25.4 X 203.2mm EFL 90° OAP BARE GOLD MIRROR 100Å |
| SURFACE FIGURE AT 632.8nm (RMS)                  | $\lambda/4$          | ALL DIMS IN            | mm     | DWG NO                |   |
| CLEAR APERTURE                                   | 90%                  |                        |        |                       | SHEET 1 OF 1                                      |
| BEVEL  | PROTECTIVE AS NEEDED |                        |        |                       |   |