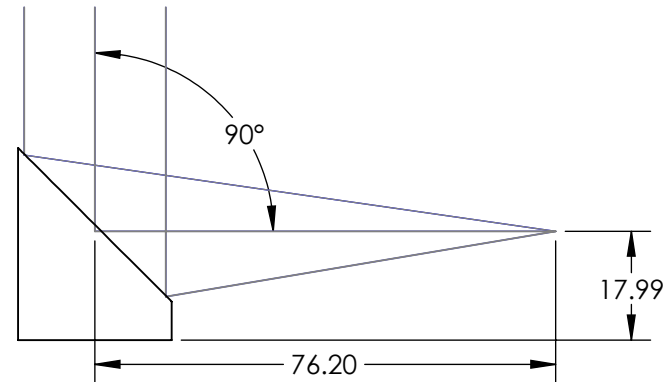
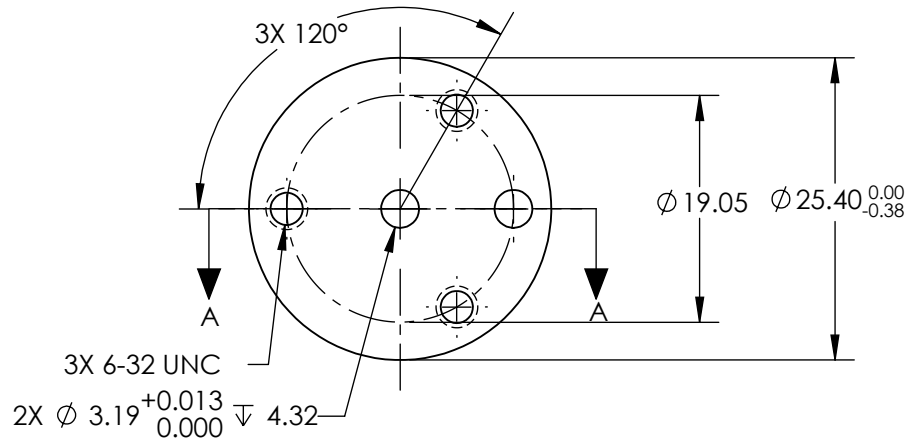
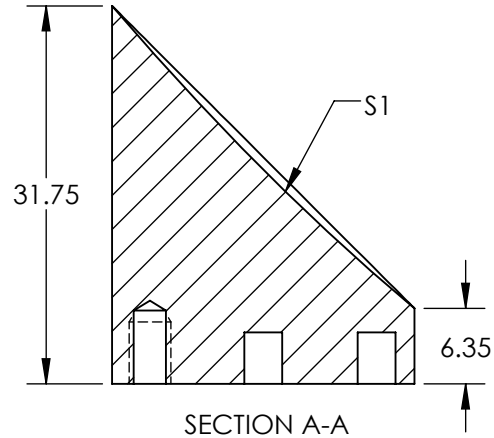
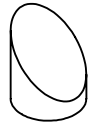


NOTES:

1. SUBSTRATE MATERIAL:
ALUMINUM
2. FINISH (EXCEPT SURFACE S1):
BLACK ANODIZED
3. COATING (APPLY ACROSS CLEAR APERTURE)
S1: BARE GOLD
R(AVG) >94% @ 700 - 800nm
R(AVG) >97% @ 800 - 2000nm
R(AVG) >98% @ 2000 - 12000nm

SURFACE ROUGHNESS: <100 Å RMS
4. FOCAL LENGTH TOLERANCE: ±1%
5. ROHS COMPLIANT

**FOR INFORMATION ONLY:
DO NOT MANUFACTURE
PARTS TO THIS DRAWING**



SPECIFICATIONS SUBJECT TO CHANGE WITHOUT NOTICE
DIMENSIONS ARE FOR REFERENCE ONLY

REV. A	S1	EFL	76.20	Edmund Optics®	TITLE Ø25.4 X 76.2mm EFL 90° OAP BARE GOLD MIRROR 100Å	
SHAPE	PARABOLIC	PFL	38.10			
REFLECTIVE WAVEFRONT DISTORTION AT 632.8nm (RMS)	$\lambda/2$	THIRD ANGLE PROJECTION		DWG NO	35645	SHEET 1 OF 1
SURFACE FIGURE AT 632.8nm (RMS)	$\lambda/4$	ALL DIMS IN	mm			
CLEAR APERTURE	90%					
BEVEL	PROTECTIVE AS NEEDED					