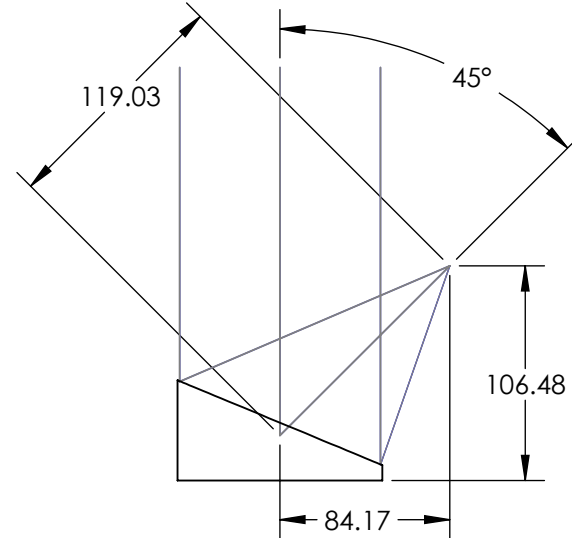
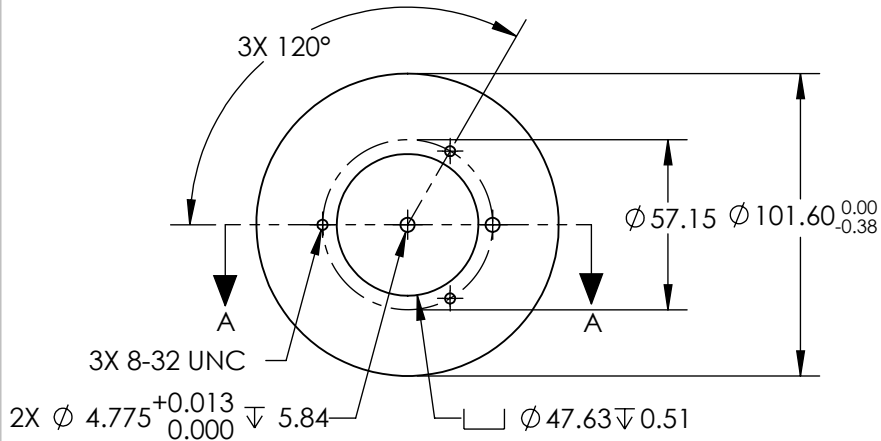
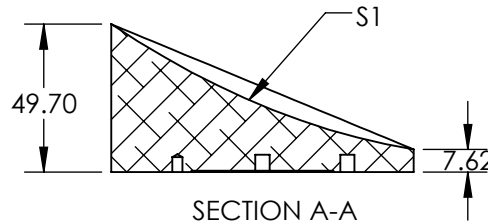


NOTES:

1. SUBSTRATE MATERIAL:
ALUMINUM
2. FINISH (EXCEPT SURFACE S1):
BLACK ANODIZED
3. COATING (APPLY ACROSS CLEAR APERTURE)
S1: BARE GOLD
R(AVG) >94% @ 0.7-0.8 μ m
R(AVG) >97% @ 0.8-2.0 μ m
R(AVG) >98% @ 2-12 μ m

SURFACE ROUGHNESS: <100 Å RMS
4. FOCAL LENGTH TOLERANCE: \pm 1%
5. ROHS COMPLIANT

FOR INFORMATION ONLY:
DO NOT MANUFACTURE
PARTS TO THIS DRAWING



SPECIFICATIONS SUBJECT TO CHANGE WITHOUT NOTICE
DIMENSIONS ARE FOR REFERENCE ONLY

REV. A	S1	EFL	119.03		Edmund Optics®
SHAPE	PARABOLIC	PFL	101.60		
REFLECTIVE WAVEFRONT DISTORTION AT 632.8nm (RMS)	2 λ	THIRD ANGLE PROJECTION	TITLE	Ø101.6 X 119.03mm EFL 45° OAP BARE GOLD MIRROR 100Å	
SURFACE FIGURE AT 632.8nm (RMS)	1 λ				
CLEAR APERTURE	90%	ALL DIMS IN	mm	DWG NO	35633
BEVEL	PROTECTIVE AS NEEDED				