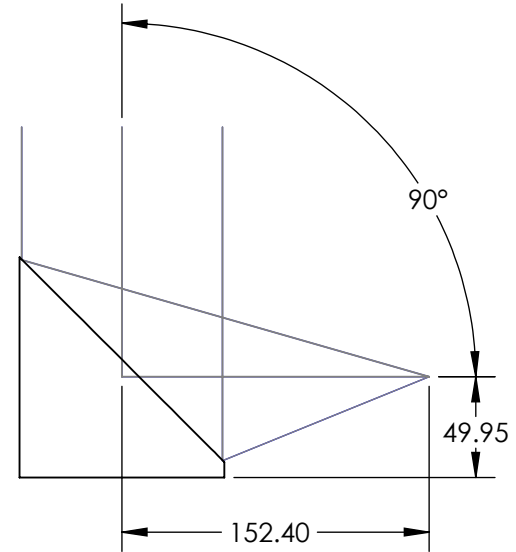
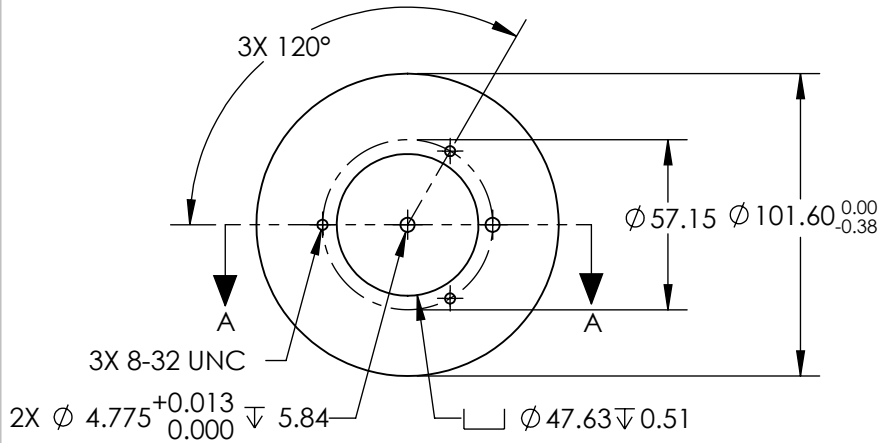
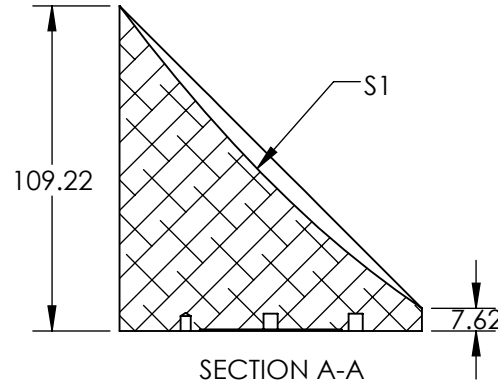
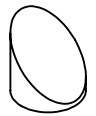


NOTES:

1. SUBSTRATE MATERIAL:  
ALUMINUM
2. FINISH (EXCEPT SURFACE S1):  
BLACK ANODIZED
3. COATING (APPLY ACROSS CLEAR APERTURE)  
S1: PROTECTED GOLD  
R(AVG) >94% @ 700 - 800nm  
R(AVG) >97% @ 800 - 2000nm  
R(AVG) >98% @ 2000 - 12000nm  
  
SURFACE ROUGHNESS: <100 Å RMS
4. FOCAL LENGTH TOLERANCE: ±1%
5. ROHS COMPLIANT

FOR INFORMATION ONLY:  
DO NOT MANUFACTURE  
PARTS TO THIS DRAWING



SPECIFICATIONS SUBJECT TO CHANGE WITHOUT NOTICE  
DIMENSIONS ARE FOR REFERENCE ONLY

|  |                      |                        |        |                       |  |        |
|--|----------------------|------------------------|--------|-----------------------|--|--------|
| REV. A   | S1                   | EFL                    | 152.40 | <b>Edmund Optics®</b> |  |        |
| SHAPE  | PARABOLIC            | PFL                    | 76.20  |                       |  |        |
| REFLECTIVE WAVEFRONT DISTORTION AT 632.8nm (RMS) | 2λ                   | THIRD ANGLE PROJECTION |        | TITLE                 | Ø101.6 X 152.4mm EFL 90° OAP PROTECTED<br>GOLD MIRROR 100Å |        |
| SURFACE FIGURE AT 632.8nm (RMS)                  | 1λ                   | ALL DIMS IN            | mm     | DWG NO                |  | 35593  |
| CLEAR APERTURE                                   | 90%                  |                        |        |                       | SHEET  | 1 OF 1 |
| BEVEL  | PROTECTIVE AS NEEDED |                        |        |                       |  |        |