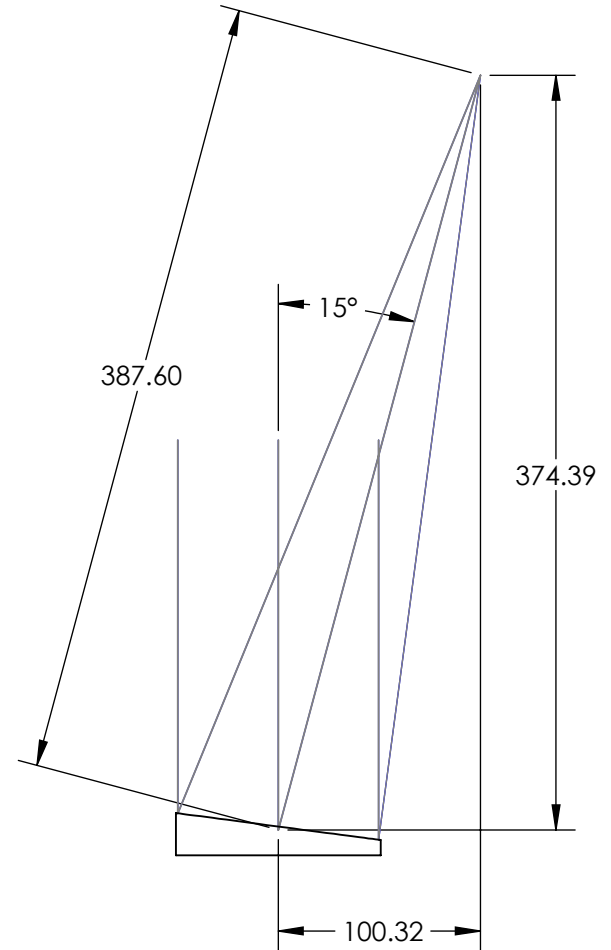
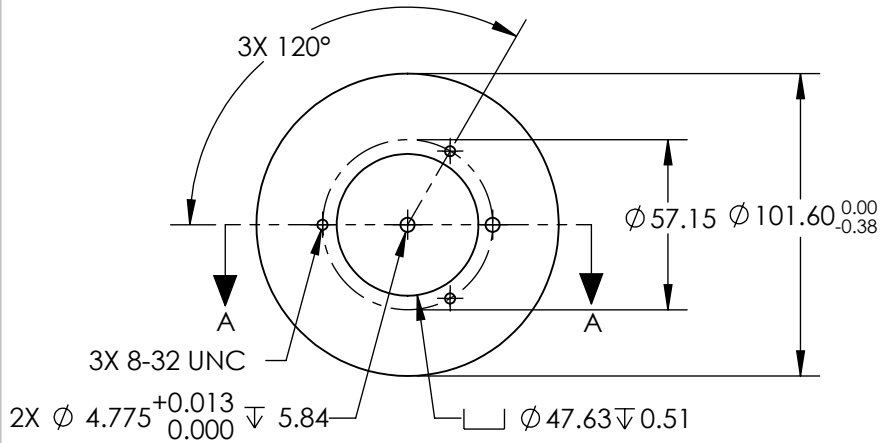
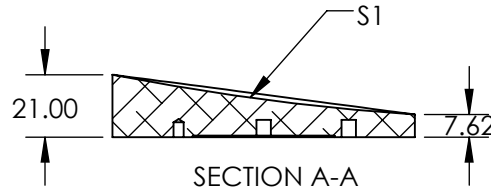


NOTES:

1. SUBSTRATE MATERIAL:
ALUMINUM
2. FINISH (EXCEPT SURFACE S1):
BLACK ANODIZED
3. COATING (APPLY ACROSS CLEAR APERTURE)
S1: PROTECTED GOLD
R(AVG) >94% @ 700 - 800nm
R(AVG) >97% @ 800 - 2000nm
R(AVG) >98% @ 2000 - 12000nm

SURFACE ROUGHNESS: <100 Å RMS
4. FOCAL LENGTH TOLERANCE: ±1%
5. ROHS COMPLIANT

FOR INFORMATION ONLY:
DO NOT MANUFACTURE
PARTS TO THIS DRAWING



SPECIFICATIONS SUBJECT TO CHANGE WITHOUT NOTICE
DIMENSIONS ARE FOR REFERENCE ONLY

REV. A	S1	EFL	387.60		Edmund Optics®
SHAPE	PARABOLIC	PFL	381.00		
REFLECTIVE WAVEFRONT DISTORTION AT 632.8nm (RMS)	2λ	THIRD ANGLE PROJECTION	TITLE	Ø101.6 X 387.6mm EFL 15° OAP PROTECTED GOLD MIRROR 100Å	
SURFACE FIGURE AT 632.8nm (RMS)	1λ				
CLEAR APERTURE	90%	ALL DIMS IN	mm	DWG NO	35575
BEVEL	PROTECTIVE AS NEEDED				