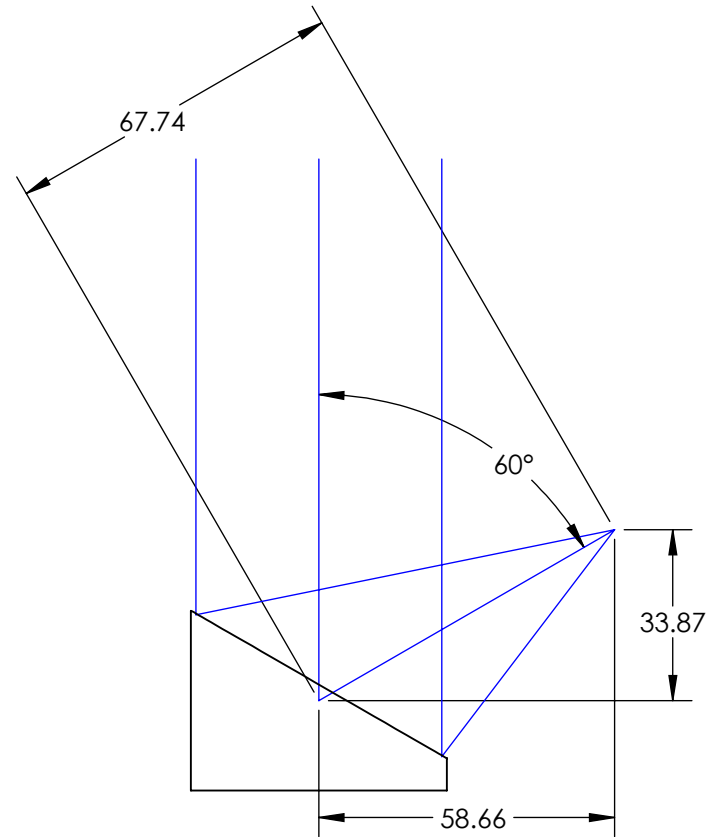
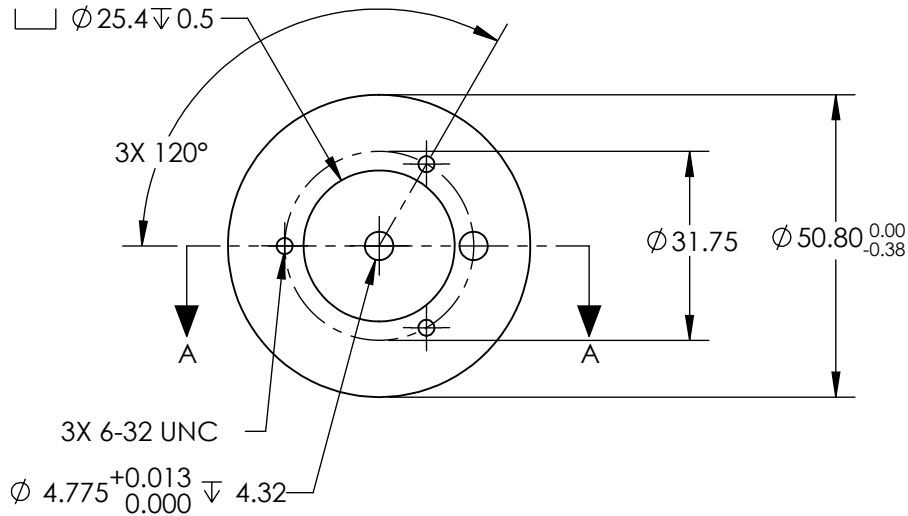
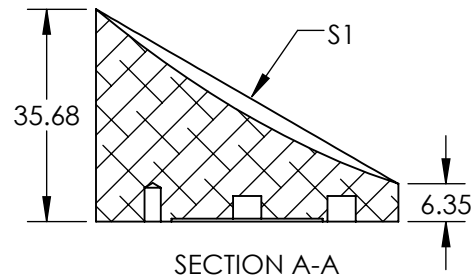
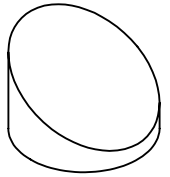


NOTES:

1. SUBSTRATE MATERIAL:
ALUMINIUM
2. FINISH (EXCEPT SURFACE S1):
BLACK ANODIZED
3. COATING (APPLY ACROSS CLEAR APERTURE)
S1: PROTECTED GOLD
R(AVG) >94% @ 700 - 800nm
R(AVG) >97% @ 800 - 2000nm
R(AVG) >98% @ 2000 - 12000nm

SURFACE ROUGHNESS: <100 Å RMS
4. FOCAL LENGTH TOLERANCE: ±1%
5. ROHS COMPLIANT

FOR INFORMATION ONLY:
DO NOT MANUFACTURE
PARTS TO THIS DRAWING



SPECIFICATIONS SUBJECT TO CHANGE WITHOUT NOTICE
DIMENSIONS ARE FOR REFERENCE ONLY

REV. A	S1	EFL	67.74		Edmund Optics®
SHAPE	PARABOLIC	PFL	50.80		
REFLECTIVE WAVEFRONT DISTORTION AT 632.8nm (RMS)	1λ	THIRD ANGLE PROJECTION		TITLE	Ø50.8 X 67.74mm EFL 60° OAP PROTECTED GOLD MIRROR 100Å
SURFACE FIGURE AT 632.8nm (RMS)	λ/2				
CLEAR APERTURE	90%	ALL DIMS IN	mm	DWG NO	35555
BEVEL	PROTECTIVE AS NEEDED				SHEET 1 OF 1