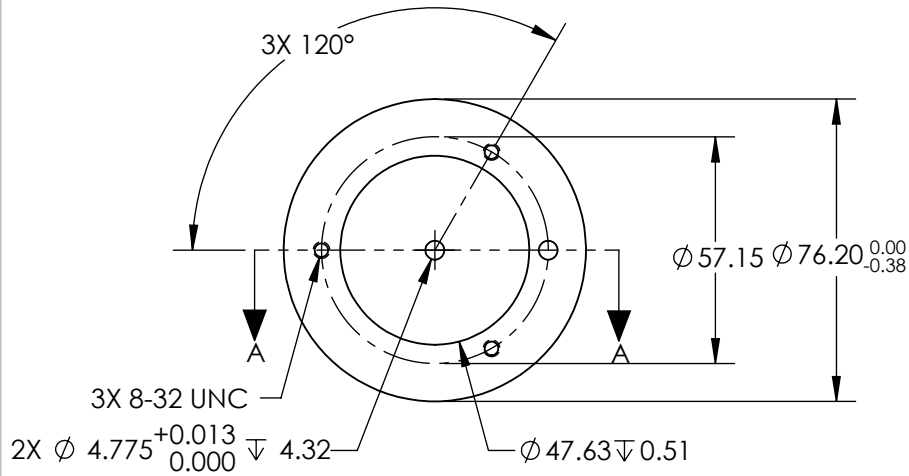
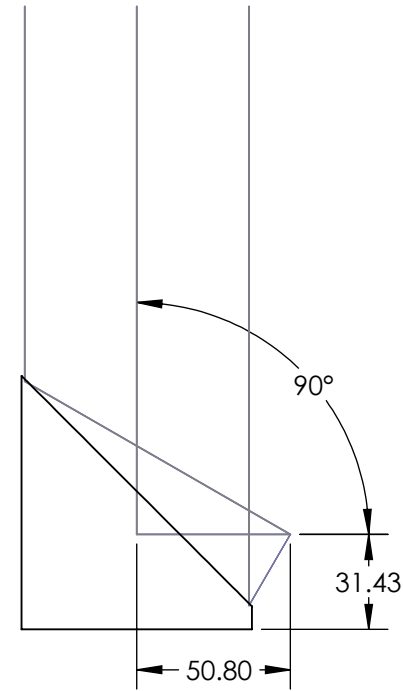
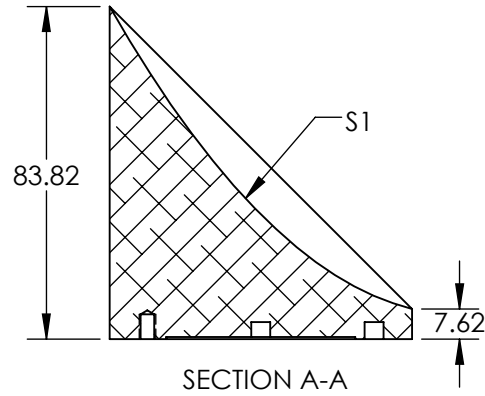
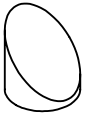


NOTES:

1. SUBSTRATE MATERIAL:  
ALUMINUM
2. FINISH (EXCEPT SURFACE S1):  
BLACK ANODIZED
3. COATING (APPLY ACROSS CLEAR APERTURE)  
S1: PROTECTED GOLD  
R(AVG) >94% @ 0.7-0.8 $\mu$ m  
R(AVG) >97% @ 0.8-2.0 $\mu$ m  
R(AVG) >98% @ 2-12 $\mu$ m  
  
SURFACE ROUGHNESS: <100 Å RMS
4. FOCAL LENGTH TOLERANCE:  $\pm$ 1%
5. ROHS COMPLIANT

FOR INFORMATION ONLY:  
DO NOT MANUFACTURE  
PARTS TO THIS DRAWING



SPECIFICATIONS SUBJECT TO CHANGE WITHOUT NOTICE  
DIMENSIONS ARE FOR REFERENCE ONLY

REV. A	S1	EFL	50.80	<b>Edmund Optics®</b>		
SHAPE	PARABOLIC	PFL	25.40			
REFLECTIVE WAVEFRONT DISTORTION AT 632.8nm (RMS)	3/2 $\lambda$	THIRD ANGLE PROJECTION		TITLE	Ø76.2 X 50.8mm EFL 90° OAP PROTECTED GOLD MIRROR 100Å	
SURFACE FIGURE AT 632.8nm (RMS)	3/4 $\lambda$	ALL DIMS IN	mm	DWG NO		35533
CLEAR APERTURE	90%				SHEET	1 OF 1
BEVEL	PROTECTIVE AS NEEDED					