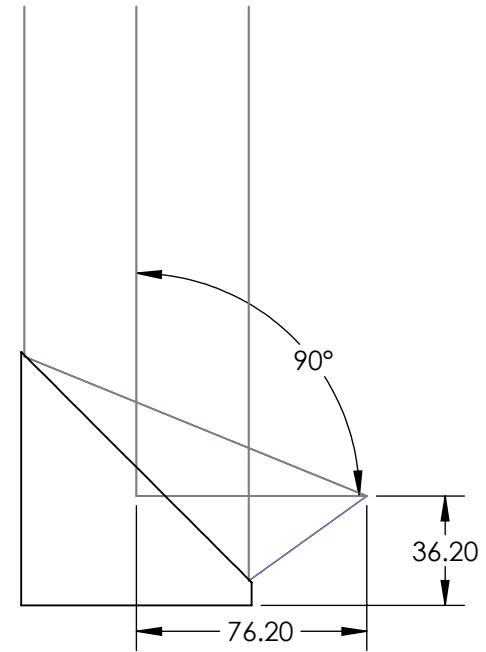
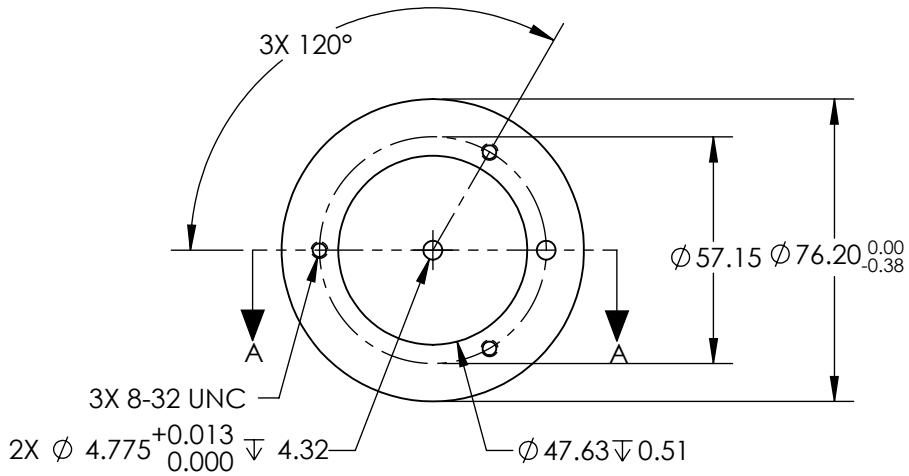
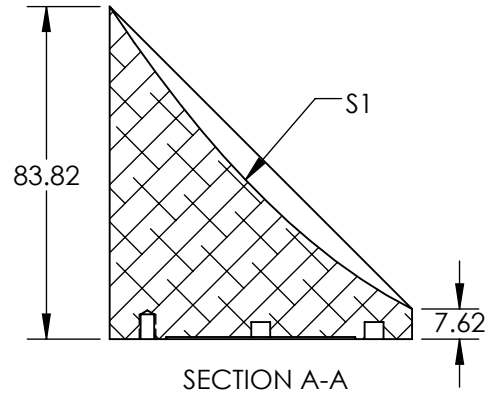



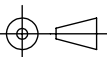
NOTES:

1. SUBSTRATE MATERIAL:  
ALUMINUM
2. FINISH (EXCEPT SURFACE S1):  
BLACK ANODIZED
3. COATING (APPLY ACROSS CLEAR APERTURE)  
S1: PROTECTED ALUMINUM  
R(AVG) >85% @ 400 - 700nm  
R(AVG) >70% @ 700 - 2000nm  
R(AVG) >97% @ 2000 - 12000nm
- SURFACE ROUGHNESS: <100 Å RMS
4. FOCAL LENGTH TOLERANCE: ±1%
5. ROHS COMPLIANT

**FOR INFORMATION ONLY:  
DO NOT MANUFACTURE  
PARTS TO THIS DRAWING**



SPECIFICATIONS SUBJECT TO CHANGE WITHOUT NOTICE  
DIMENSIONS ARE FOR REFERENCE ONLY

REV. A	S1	EFL	76.20	 <b>Edmund Optics®</b>	
SHAPE	PARABOLIC	PFL	38.10		
REFLECTIVE WAVEFRONT DISTORTION AT 632.8nm (RMS)	3/2λ	THIRD ANGLE PROJECTION		TITLE	Ø76.2 X 76.2mm EFL 90° OAP PROTECTED ALUMINUM MIRROR 100Å
SURFACE FIGURE AT 632.8nm (RMS)	3/4λ	ALL DIMS IN	mm	DWG NO	
CLEAR APERTURE	90%				SHEET
BEVEL	PROTECTIVE AS NEEDED				1 OF 1