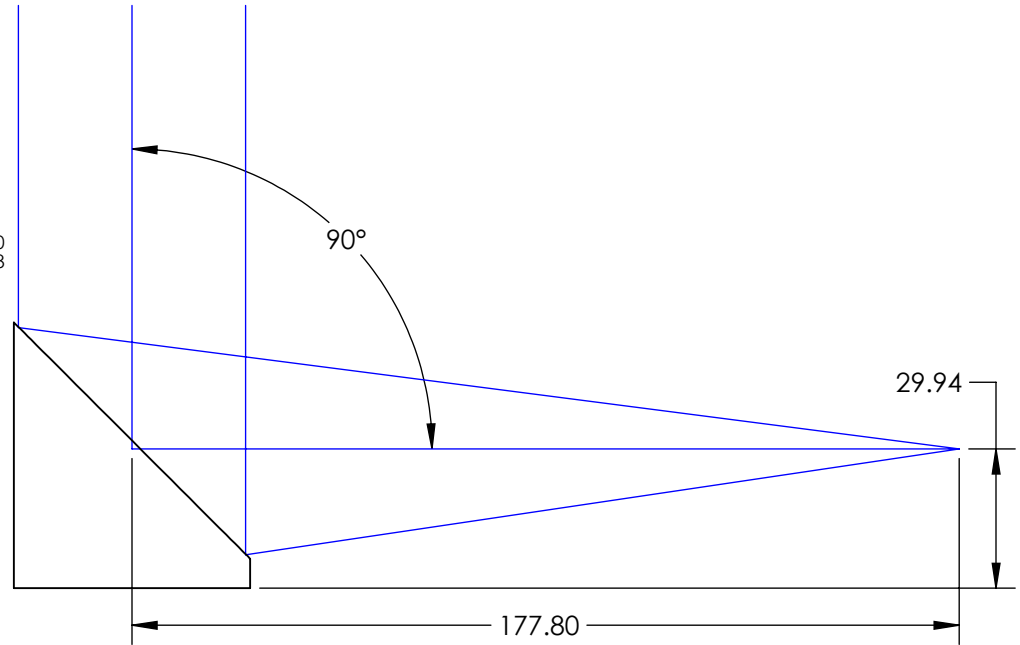
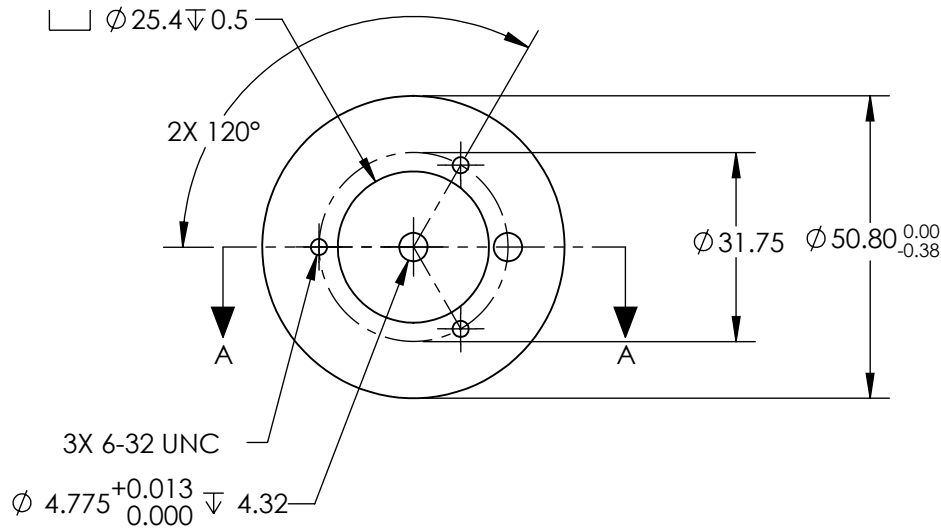
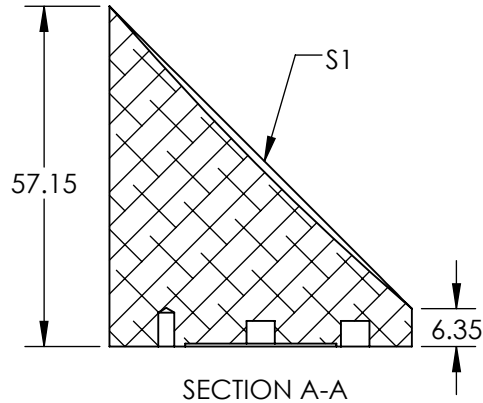
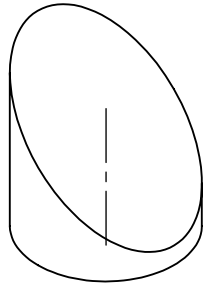


NOTES:

1. SUBSTRATE MATERIAL:
ALUMINIUM
 2. FINISH (EXCEPT SURFACE S1):
BLACK ANODIZED
 3. COATING (APPLY ACROSS CLEAR APERTURE)
S1: PROTECTED ALUMINIUM
R(AVG) >85% @ 400 - 700nm
R(AVG) >70% @ 700 - 2000nm
R(AVG) >97% @ 2000 - 12000nm
- SURFACE ROUGHNESS: <100 Å RMS
4. FOCAL LENGTH TOLERANCE: ±1%
 5. ROHS COMPLIANT

FOR INFORMATION ONLY:
DO NOT MANUFACTURE
PARTS TO THIS DRAWING



SPECIFICATIONS SUBJECT TO CHANGE WITHOUT NOTICE
DIMENSIONS ARE FOR REFERENCE ONLY

REV. A	S1	EFL	177.80		Edmund Optics®	
SHAPE	PARABOLIC	PFL	9e+010			
REFLECTIVE WAVEFRONT DISTORTION AT 632.8nm (RMS)	1λ	THIRD ANGLE PROJECTION		TITLE	Ø50.8 X 177.8mm EFL 90° OAP PROTECTED ALUMINUM MIRROR 100Å	
SURFACE FIGURE AT 632.8nm (RMS)	λ/2	ALL DIMS IN	mm	DWG NO		
CLEAR APERTURE	90%					SHEET 1 OF 1
BEVEL	PROTECTIVE AS NEEDED					