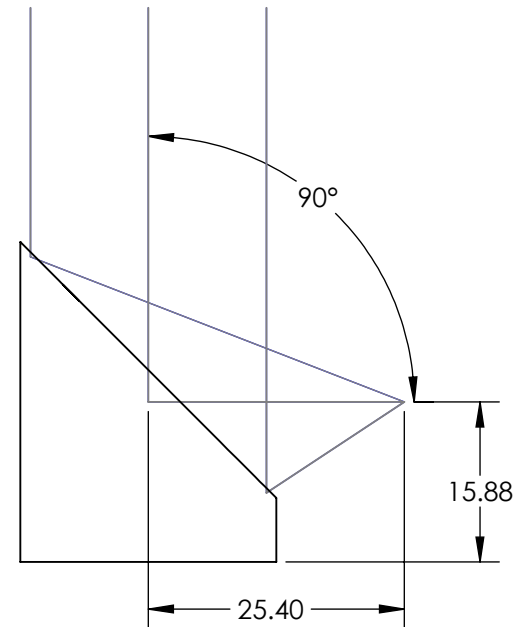
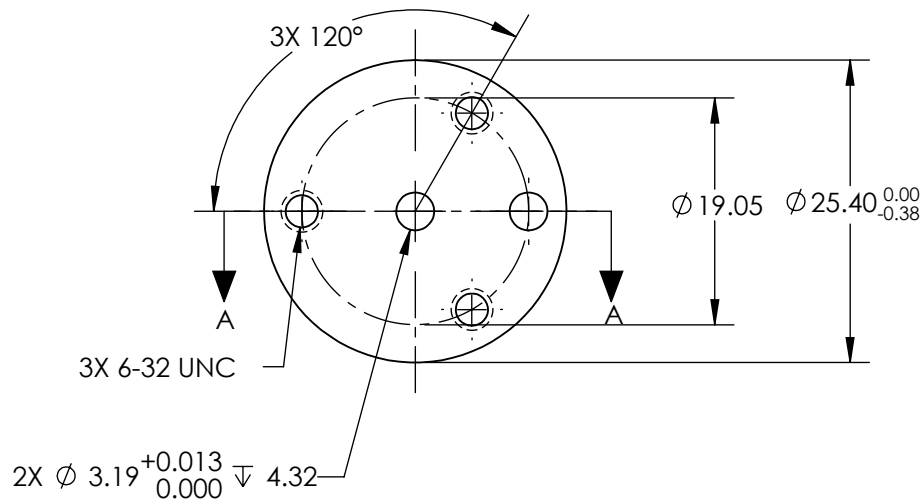
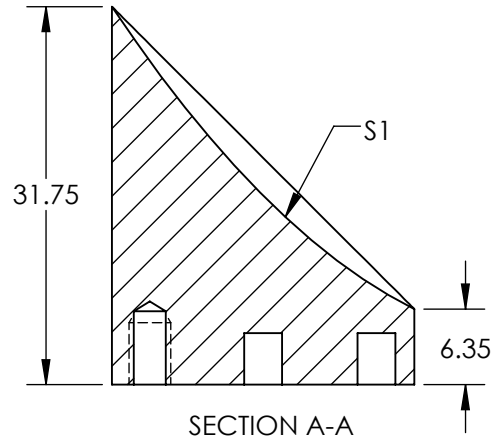
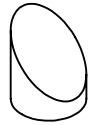


NOTES:

1. SUBSTRATE MATERIAL:  
ALUMINUM
2. FINISH (EXCEPT SURFACE S1):  
BLACK ANODIZED
3. COATING (APPLY ACROSS CLEAR APERTURE)  
S1: PROTECTED ALUMINUM  
R(AVG) >85% from 0.4-0.7 $\mu$ m  
R(AVG) >97% from 2 - 12 $\mu$ m  
  
SURFACE ROUGHNESS: <100 Å RMS
4. FOCAL LENGTH TOLERANCE:  $\pm$ 1%
5. ROHS COMPLIANT

**FOR INFORMATION ONLY:  
DO NOT MANUFACTURE  
PARTS TO THIS DRAWING**



SPECIFICATIONS SUBJECT TO CHANGE WITHOUT NOTICE  
DIMENSIONS ARE FOR REFERENCE ONLY

REV. A	S1	EFL	25.40	<b>Edmund Optics®</b>	TITLE Ø25.4 X 25.4mm EFL 90° OAP PROTECTED ALUMINUM MIRROR 100Å	
SHAPE	PARABOLIC	PFL	12.70			
REFLECTIVE WAVEFRONT DISTORTION AT 632.8nm (RMS)	$\lambda/2$	THIRD ANGLE PROJECTION		DWG NO 35500		
SURFACE FIGURE AT 632.8nm (RMS)	$\lambda/4$	ALL DIMS IN	mm			
CLEAR APERTURE	90%			SHEET 1 OF 1		
BEVEL	PROTECTIVE AS NEEDED					