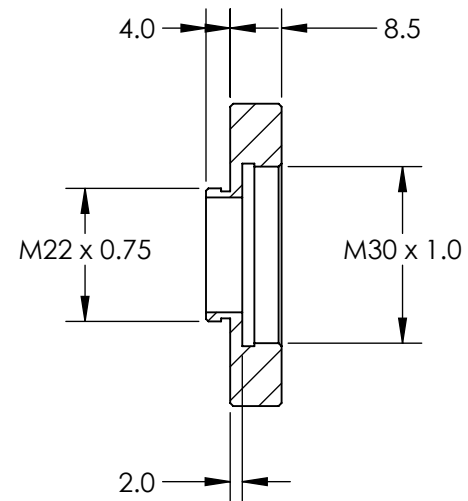
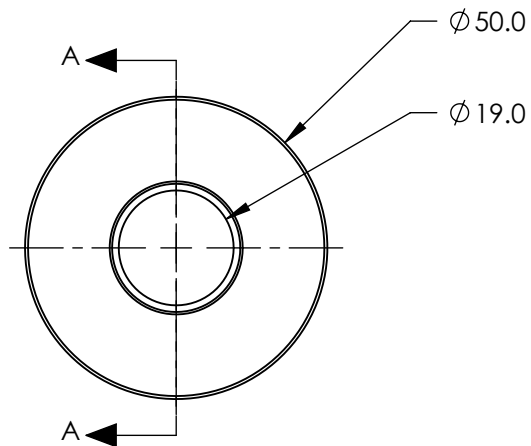
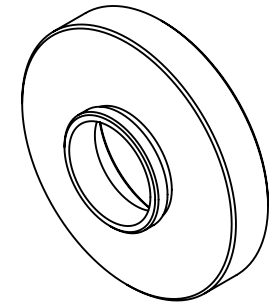


**FOR INFORMATION ONLY:
DO NOT MANUFACTURE
PARTS TO THIS DRAWING**



SECTION A-A

SPECIFICATIONS SUBJECT TO CHANGE WITHOUT NOTICE
DIMENSIONS ARE FOR REFERENCE ONLY



REV. A	VALUE
CONSTRUCTION	ALUMINUM
COATING TYPE	BLACK ANODIZED

THIRD ANGLE PROJECTION		TITLE	FEMALE M30 x 1.0 TO MALE M22 x 0.75 ADAPTER
ALL DIMS IN	mm	DWG NO	35476
			SHEET 1 OF 1