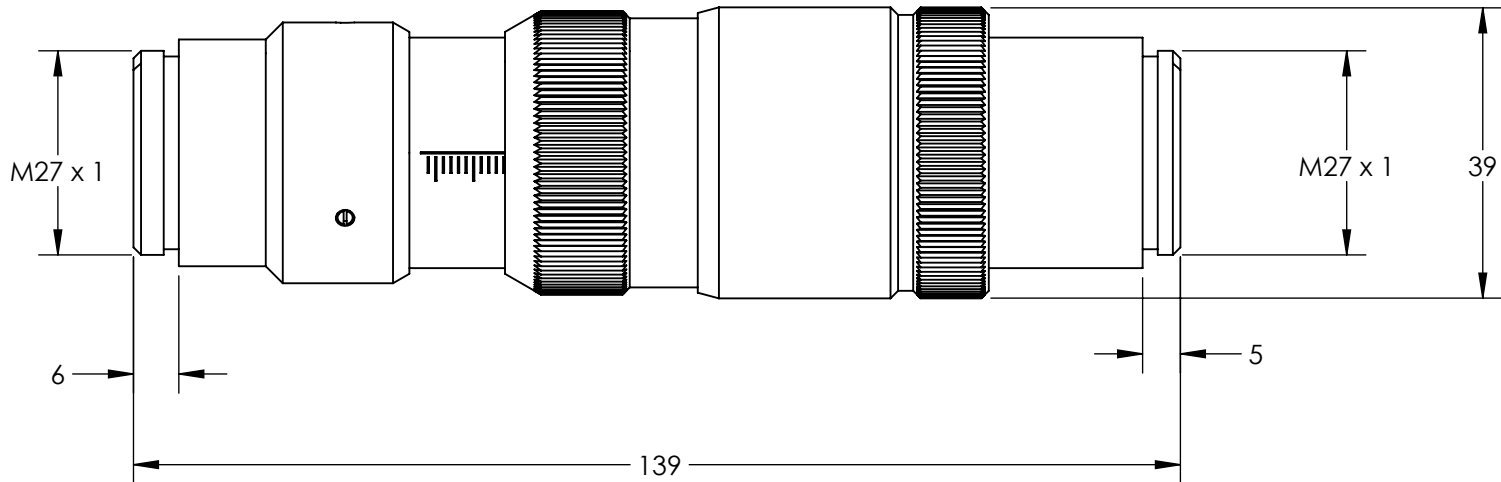
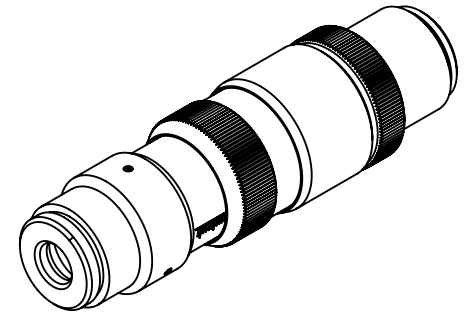


NOTES:

1. RoHS: COMPLIANT

**FOR INFORMATION ONLY:
DO NOT MANUFACTURE
PARTS TO THIS DRAWING**



SPECIFICATIONS SUBJECT TO CHANGE WITHOUT NOTICE
DIMENSIONS ARE FOR REFERENCE ONLY



REV. A	VALUE
DESIGN WAVELENGTH DWL (nm)	1064, 632.8
INPUT DIAMETER	6.4(1/E ²)
WAVELENGTH RANGE(nm)	1020 - 1100



ALL DIMS IN mm

TITLE	1064nm FLAT TOP BEAM SHAPER		
DWG NO	34258	SHEET	1 OF 1