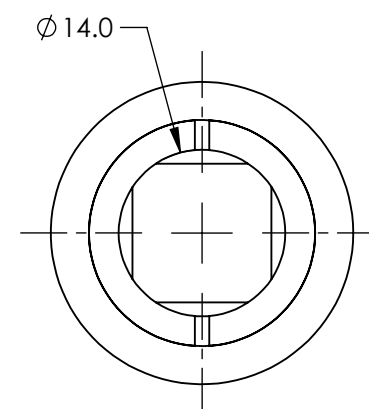
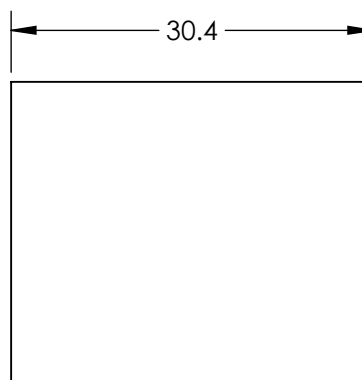
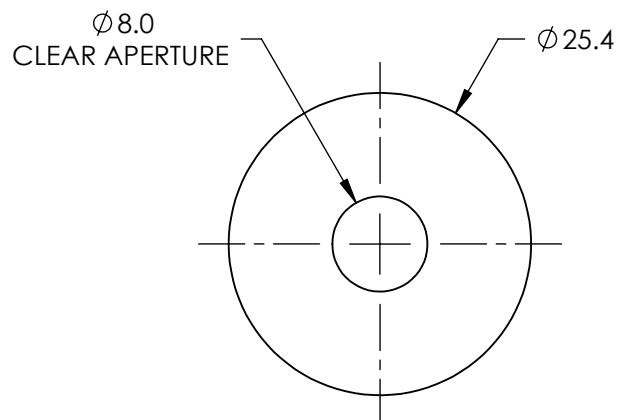
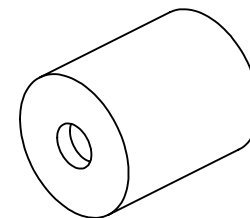


NOTES:

1. SUBSTRATE:  
α-BBO
2. BEAM DEVIATION: <3 arcmin
3. RoHS COMPLIANT

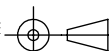


**FOR INFORMATION ONLY:  
DO NOT MANUFACTURE  
PARTS TO THIS DRAWING**

SPECIFICATIONS SUBJECT TO CHANGE WITHOUT NOTICE  
DIMENSIONS ARE FOR REFERENCE ONLY

WAVEFRONT DISTORTION	$\lambda/2$ @ 632.8 nm
DAMAGE THRESHOLD, PULSED	5 J/cm <sup>2</sup> , 10ns, 10 Hz @ 1064 nm
WAVELENGTH RANGE (nm)	200 - 350
SURFACE QUALITY	20-10
EXTINCTION RATIO	< 0.000005

THIRD ANGLE  
PROJECTION



ALL DIMS IN

mm

**EO**<sup>®</sup> **Edmund Optics**<sup>®</sup>

TITLE

GLAN-LASER POLARIZER 220 - 350nm, 8mm

DWG NO

89553

SHEET  
1 OF 1