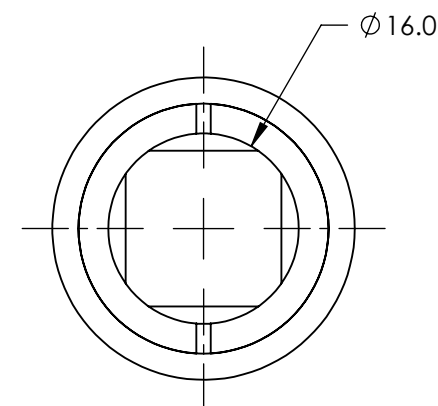
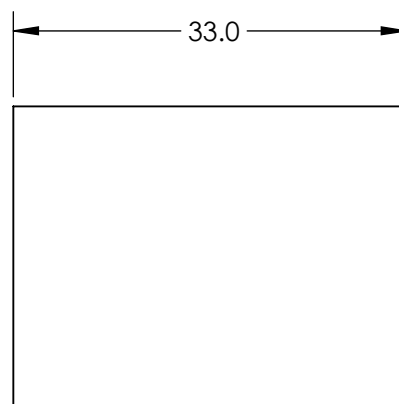
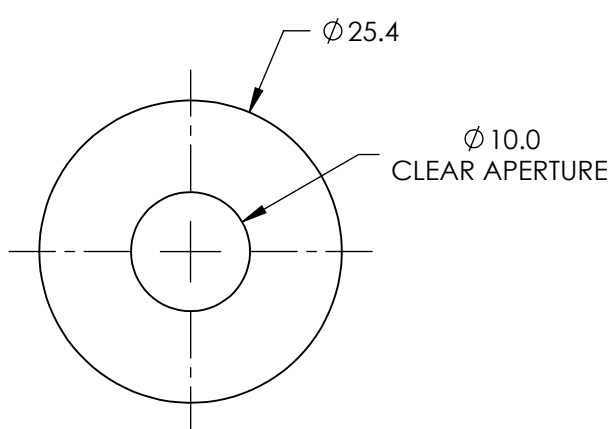
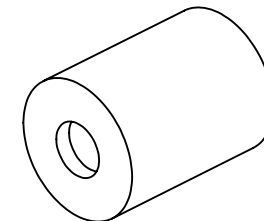


NOTES:

1. SUBSTRATE:
CALCITE
2. BEAM DEVIATION: < 3 arcmin
3. RoHS COMPLIANT



**FOR INFORMATION ONLY:
DO NOT MANUFACTURE
PARTS TO THIS DRAWING**

SPECIFICATIONS SUBJECT TO CHANGE WITHOUT NOTICE
DIMENSIONS ARE FOR REFERENCE ONLY

WAVEFRONT DISTORTION	$\lambda/4$ @ 632.8 nm
DAMAGE THRESHOLD, PULSED	1 J/cm ² , 10ns, 10 Hz @ 1064 nm
WAVELENGTH RANGE (nm)	350 - 2200
SURFACE QUALITY	20-10
EXTINCTION RATIO	< 0.00005



ALL DIMS IN mm



TITLE	Glan-Thompson Polarizer 350 - 2200nm, 10mm		
DWG NO	89545	SHEET	1 OF 1