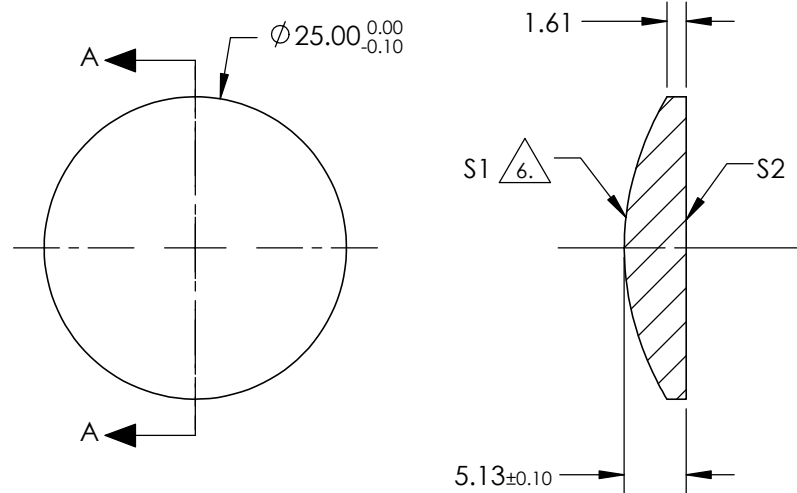


NOTES:

1. SUBSTRATE: FUSED SILICA
2. COATING (APPLY ACROSS CLEAR APERTURE)
 S1: R(avg) ≤1.5% @ 250 - 450nm
 S2: R(avg) ≤1.5% @ 250 - 450nm
3. EDGES: FINE GROUND
4. CENTERING: <3-5 ARCMIN
5. ASPHERE FIGURE ERROR: 0.75µm RMS

△ ASPHERIC SURFACE DESCRIBED BY (REF. COEFFICIENT TABLE)

$$Z_{ASPH}(Y) = \frac{(\frac{1}{RADIUS}) * Y^2}{1 + \sqrt{1 - (1+k) * (\frac{1}{RADIUS})^2 * Y^2}} + D * Y^2 + E * Y^4 + F * Y^6 + G * Y^8 + H * Y^{10} + J * Y^{12} + L * Y^{14}$$



SECTION A-A

COEFFICIENT TABLE △7	
COEFFICIENT	S1
k	-6.200000E-01
D	0
E	4.827700E-07
F	0
G	0
H	0
J	0
L	0

**FOR INFORMATION ONLY:
DO NOT MANUFACTURE
PARTS TO THIS DRAWING**

SPECIFICATIONS SUBJECT TO CHANGE WITHOUT NOTICE DIMENSIONS ARE FOR REFERENCE ONLY

REV. A	S1	S2	EFL @ 587.6µm	50		Edmund Optics®
SHAPE	CONVEX	PLANO	BFL @ 587.6µm	46.5		
RADIUS	22.930	INFINITY	THIRD ANGLE PROJECTION		TITLE	25mm DIA 0.25 NA UV COATED, UV FUSED SILICA ASPHERIC LENS
SURFACE QUALITY	60-40	60-40	ALL DIMS IN	mm	DWG NO	33954
CLEAR APERTURE	90%	90%				SHEET 1 OF 1
BEVEL MAX	PROTECTIVE AS NEEDED	PROTECTIVE AS NEEDED				