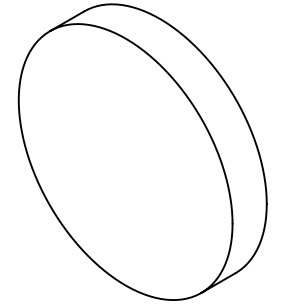


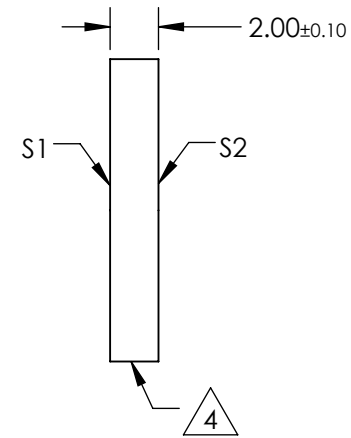
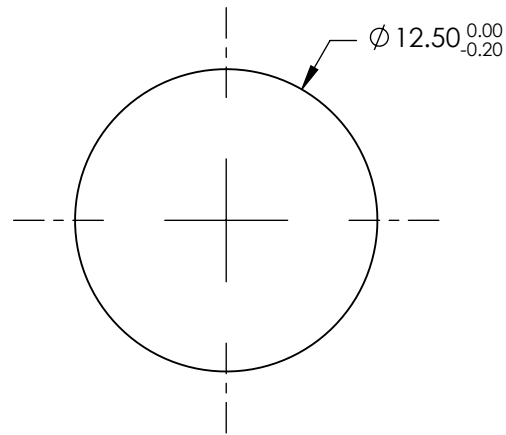
NOTES:

1. SUBSTRATE:UV GRADE FUSED SILICA
2. COATING (APPLY ACROSS CLEAR APERTURE)
 S1 & S2: RABS ≤1.0% @ 250 - 425nm
 RAVG ≤0.75% @ 250 - 425nm
 RAVG ≤0.5% @ 370 - 420nm
3. SURFACE S2 TO BE PARALLEL WITH S1 TO <5 ARCSEC



4. FINE GRIND SURFACE

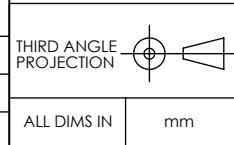
5. RoHS COMPLIANT



**FOR INFORMATION ONLY:
DO NOT MANUFACTURE
PARTS TO THIS DRAWING**

SPECIFICATIONS SUBJECT TO CHANGE WITHOUT NOTICE
DIMENSIONS ARE FOR REFERENCE ONLY

	S1	S2
SHAPE	PLANO	PLANO
SURFACE QUALITY	20-10	20-10
CLEAR APERTURE	Ø10.00	Ø10.00
BEVEL	PROTECTIVE AS NEEDED	PROTECTIVE AS NEEDED



EO® Edmund Optics®

TITLE	12.5mm DIA., 2mm THICK, UV-AR COATED λ/10 FUSED SILICA WINDOWS		
DWG NO	68487	SHEET	1 OF 1