

NOTES:

1. SUBSTRATE MATERIAL:  
Fused Silica

2. COATING (APPLY ACROSS CLEAR APERTURE)

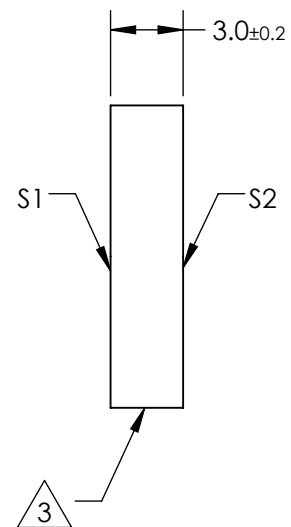
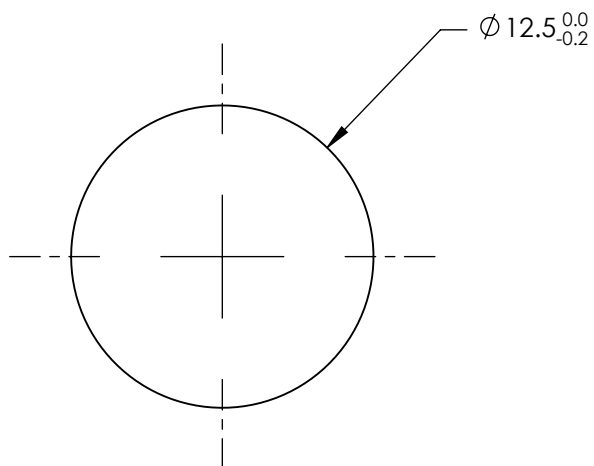
S1: Enhanced Aluminum  
R(avg) >95% @ 450 - 650nm

S2: NONE

 FINE GROUND SURFACE

4. PARALLELISM: 30 ARCSEC

5. RoHS COMPLIANT



**FOR INFORMATION ONLY:  
DO NOT MANUFACTURE  
PARTS TO THIS DRAWING**

SPECIFICATIONS SUBJECT TO CHANGE WITHOUT NOTICE  
DIMENSIONS ARE FOR REFERENCE ONLY

REV. A	S1	S2
SHAPE	PLANO	PLANO
SURFACE QUALITY	20-10	N/A
SURFACE FLATNESS	$\lambda/10$	COMMERICAL POLISH
CLEAR APERTURE	90%	N/A
BEVEL	PROTECTIVE AS NEEDED	PROTECTIVE AS NEEDED

THIRD ANGLE PROJECTION 

ALL DIMS IN mm

 **Edmund Optics®**

TITLE 12.5mm Diameter Enhanced Aluminum Coated,  $\lambda/10$  Mirror

DWG NO 84409 SHEET 1 OF 1