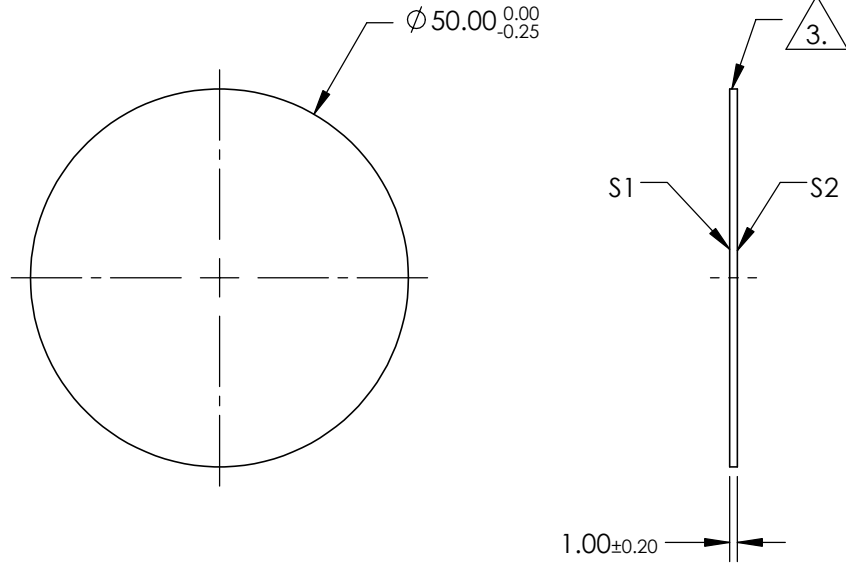


NOTES:

1. SUBSTRATE: N-BK7
2. COATING (APPLY ACROSS COATING APERTURE)
 - S1: UNCOATED
 - S2: UNCOATED

 FINE GRIND SURFACE

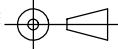
4. SURFACE S2 TO BE PARALLEL TO SURFACE S1 WITHIN 1 ARCMIN
5. POWER, IRREGULARITY, AND SURFACE QUALITY SPECIFICATIONS APPLY ACROSS CLEAR APERTURE
6. RoHS COMPLIANT




**FOR INFORMATION ONLY:
DO NOT MANUFACTURE
PARTS TO THIS DRAWING**

SPECIFICATIONS SUBJECT TO CHANGE WITHOUT NOTICE
DIMENSIONS ARE FOR REFERENCE ONLY

	S1	S2
SHAPE	PLANO	PLANO
SURFACE QUALITY	60-40	60-40
SURFACE ACCURACY	$\lambda/4$	$\lambda/4$
CLEAR APERTURE	85%	85%
BEVEL	PROTECTIVE AS NEEDED	PROTECTIVE AS NEEDED

THIRD ANGLE PROJECTION 

ALL DIMS IN mm

 **Edmund Optics®**

TITLE: 50mm SQ., 1mm THICK, UNCOATED $\lambda/4$ N-BK7 WINDOW

DWG NO: 34427

SHEET 1 OF 1