

NOTES:

1. SUBSTRATE MATERIAL:
Fused Silica

2. COATING (APPLY ACROSS CLEAR APERTURE)

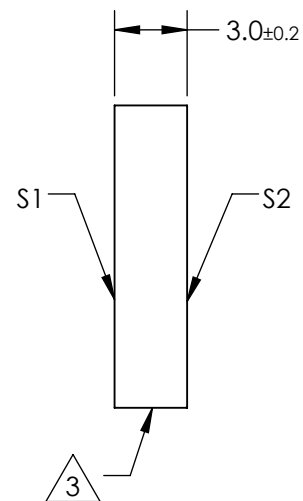
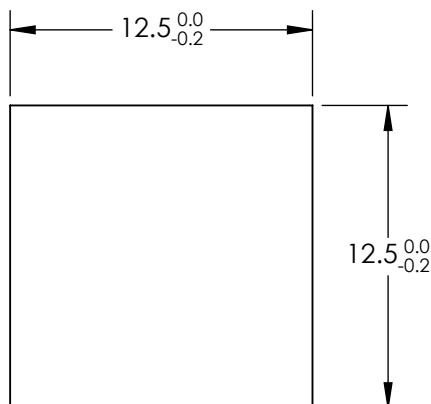
S1: Protected Gold
R(AVG) >96% @ 700 - 2000nm
R(AVG) >96% @ 2000 - 10,000nm

S2: NONE

3. FINE GROUND SURFACE

4. PARALLELISM: 30 ARCSEC

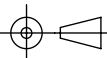
5. RoHS COMPLIANT




**FOR INFORMATION ONLY:
DO NOT MANUFACTURE
PARTS TO THIS DRAWING**

SPECIFICATIONS SUBJECT TO CHANGE WITHOUT NOTICE
DIMENSIONS ARE FOR REFERENCE ONLY

REV. A	S1	S2
SHAPE	PLANO	PLANO
SURFACE QUALITY	20-10	N/A
SURFACE FLATNESS	λ/10	COMMERICAL POLISH
CLEAR APERTURE	90%	N/A
BEVEL	PROTECTIVE AS NEEDED	PROTECTIVE AS NEEDED

THIRD ANGLE PROJECTION 

ALL DIMS IN mm

 **Edmund Optics®**

TITLE: 12.5mm Square Protected Gold Coated, λ/10 Mirror

DWG NO: 84430

SHEET 1 OF 1