

NOTES:

1. SUBSTRATE MATERIAL:  
Fused Silica

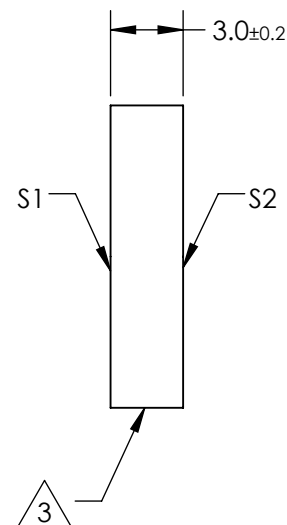
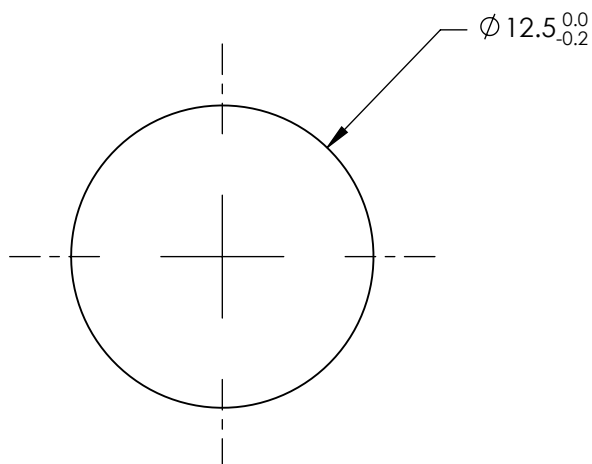
2. COATING (APPLY ACROSS CLEAR APERTURE)

S1: UV Enhanced Aluminum  
R(avg) >89% @ 250 - 450nm  
R(avg) >85% @ 250 - 700nm  
S2: NONE

 FINE GROUND SURFACE

4. PARALLELISM: 30 ARCSEC

5. RoHS COMPLIANT



**FOR INFORMATION ONLY:  
DO NOT MANUFACTURE  
PARTS TO THIS DRAWING**

SPECIFICATIONS SUBJECT TO CHANGE WITHOUT NOTICE  
DIMENSIONS ARE FOR REFERENCE ONLY

REV. A	S1	S2
SHAPE	PLANO	PLANO
SURFACE QUALITY	20-10	N/A
SURFACE FLATNESS	$\lambda/10$	COMMERICAL POLISH
CLEAR APERTURE	90%	N/A
BEVEL	PROTECTIVE AS NEEDED	PROTECTIVE AS NEEDED

THIRD ANGLE  
PROJECTION



ALL DIMS IN

mm

 **Edmund Optics®**

TITLE

12.5mm Diameter UV Enhanced Aluminum  
Coated,  $\lambda/10$  Mirror

DWG NO

84419

SHEET  
1 OF 1