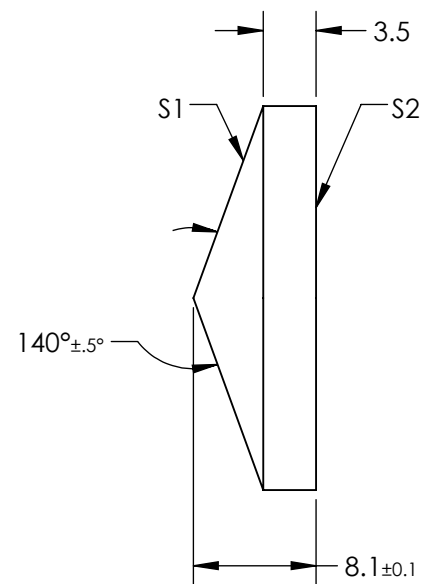
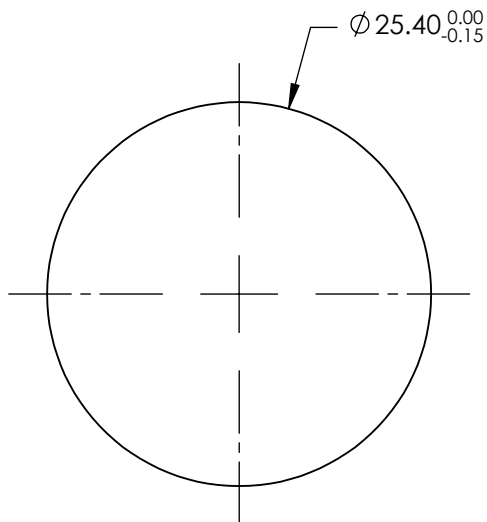


NOTES:

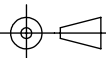
- 1. SUBSTRATE MATERIAL:  
FUSED SILICA
- 2. COATING (APPLY ACROSS CLEAR APERTURE)  
  
S1 & S2: R(AVG)  $\leq 0.8\%$  @ 600 - 1100nm
- 3. RoHS COMPLIANT




**FOR INFORMATION ONLY:  
DO NOT MANUFACTURE  
PARTS TO THIS DRAWING**

SPECIFICATIONS SUBJECT TO CHANGE WITHOUT NOTICE  
DIMENSIONS ARE FOR REFERENCE ONLY

|                  | S1                   | S2                   |
|------------------|----------------------|----------------------|
| SHAPE            | CONICAL              | PLANO                |
| SURFACE ACCURACY | $\lambda/4$          | $\lambda/4$          |
| SURFACE QUALITY  | 40-20                | 40-20                |
| CLEAR APERTURE   | >90%                 | >90%                 |
| BEVEL            | PROTECTIVE AS NEEDED | PROTECTIVE AS NEEDED |

THIRD ANGLE PROJECTION 

ALL DIMS IN mm

 **Edmund Optics®**

TITLE: 140° APEX ANGLE, 25.4MM DIA, NIR I COATED AXICON

DWG NO: 83808

SHEET 1 OF 1