

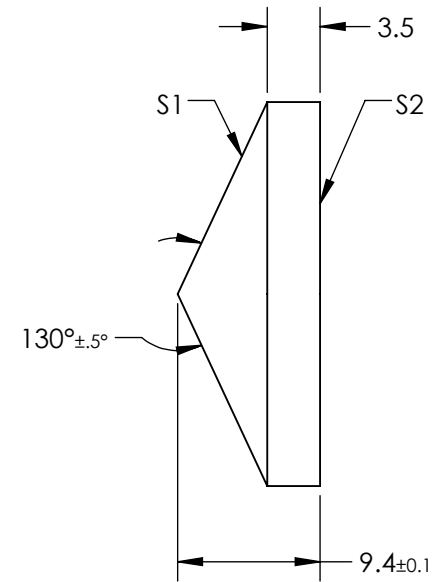
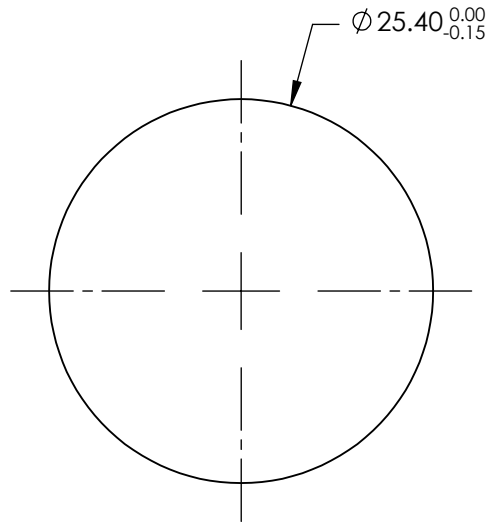
NOTES:

1. SUBSTRATE MATERIAL:
FUSED SILICA

2. COATING (APPLY ACROSS CLEAR APERTURE)

S1 & S2: R(AVG) $\leq 0.8\%$ @ 600 - 1100nm

3. RoHS COMPLIANT

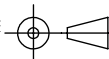


**FOR INFORMATION ONLY:
DO NOT MANUFACTURE
PARTS TO THIS DRAWING**

SPECIFICATIONS SUBJECT TO CHANGE WITHOUT NOTICE
DIMENSIONS ARE FOR REFERENCE ONLY

	S1	S2
SHAPE	CONICAL	PLANO
SURFACE ACCURACY	$\lambda/4$	$\lambda/4$
SURFACE QUALITY	40-20	40-20
CLEAR APERTURE	>90%	>90%
BEVEL	PROTECTIVE AS NEEDED	PROTECTIVE AS NEEDED

THIRD ANGLE
PROJECTION



ALL DIMS IN

mm

EO® Edmund Optics®

TITLE

130° APEX ANGLE, 25.4MM DIA, NIR I
COATED AXICON

DWG NO

83807

SHEET
1 OF 1